



A Division of **TUXEDO** Distributors, LLC.

**PREMIUM TEAR-DOWN TABLE
& 3.5 GALLON PARTS WASHER
(PTDT-PW-1000)**

**HEAVY DUTY STEEL CONSTRUCTION
1,000 LBS. CAPACITY**



INSTALLATION INSTRUCTIONS

CAUTION

BEFORE USE, PLEASE READ ALL SAFETY AND OPERATION INSTRUCTIONS TO PREVENT INJURY OR DAMAGES.

PRODUCT DESCRIPTION

The iDEAL PTDT-PW-1000 is a Premium Tear-Down Table with retractable Parts Washer designed for a wide range of shop related applications. Standard with a large 46.8" x 31.5" tabletop work area & max weight capacity of 1000 lbs., the unique Tear-Down Table also features an integrated Table Drain & Catch Basin as well as a lockable Storage Drawers. The iDEAL Tear-Down Table is constructed with heavy duty 13 Gauge (.093+) Steel yet still easily maneuverable with 4" swivel poly casters, two being locking type to secure in place.

SPECIFICATIONS

Product Model	PTDT-PW-1000
Support Capacity	1,000 lbs.
Overall Size	47+W x 32+L x 41+H
Work Top Area	46.8+W x 31.5+L
Storage Cabinet Size	19+W x 19+L x 5+H
Steel Thickness	2.38mm (.093+)
Fluid Basin Size	9"W x 15"L x 6"H
Fluid Basin Capacity	3 Gallons
Parts Washer Size	13+W x 17+L x 8.5+H
Parts Washer Capacity	3.5 Gallons
Parts Washer Power	110VAC-60HZ, 0.23A
Ship Weight	213 lbs. (5 pcs)

GENERAL SAFETY RULES



WARNING: The warnings, cautions, and instructions noted in this instruction manual cannot cover all possible conditions or situations that could occur. It must be understood by the operator that common sense and caution are factors which cannot be built into this product but must be supplied by the operator.

SAVE THESE INSTRUCTIONS

WORK AREA

- **Keep the work area clean**, free of clutter and well lit. Cluttered and dark work areas can cause accidents.
- **Keep children and bystanders** away while operating. Distractions can cause you to lose control or focus, thus visitors should remain at a safe distance from the work area.
- **Be aware of all power lines, electrical circuits**, water pipes and other mechanical hazards in your work area, particularly those hazards below the work surface hidden from the operator's view that may be unintentionally contacted and may cause personal harm or property damage.

PERSONAL SAFETY

- **Use safety apparel and equipment.** Use safety goggles or safety glasses with side shields to comply with current national standards, or when needed, a face shield. Use dust mask in dusty work conditions, which applies to all persons in the work area. Wear non-skid safety shoes, hardhat, gloves, dust collection systems and hearing protection when appropriate.
- **Do not overreach.** Always keep the proper footing and balance.

- **Secure your work** with clamps or vise instead of using your hands to hold work, when practical. *(This safety precaution allows for the proper tool operation using both hands.)*
- **Store idle tools.** When tools are not in use, store them in a dry, secure place out of the reach of children. Inspect your tools to ensure that they are in good working condition prior to storage and before re-use.
- **Use only accessories that are recommended** by the manufacturer for your model.
- **Keep guards in place** and in proper working order.
- **Use only on a flat, level surface.**

ELECTRICAL SAFETY



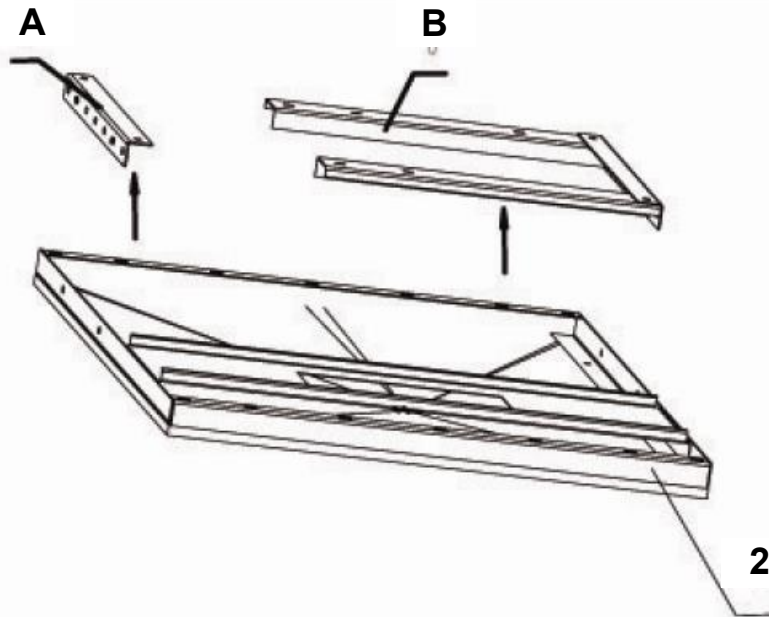
WARNING: Always check to ensure the power supply corresponds to the voltage on the rating plate.

- **Do not abuse the cord.** Never carry a portable tool by its power cord or yank the tool or extension cord from the receptacle. Keep power cords and extension cords away from heat, oil, sharp edges or moving parts. Replace damaged cords immediately. Damaged cords may cause a fire and increase the risk of electric shock.
- **Grounded tools** must be plugged in to an outlet properly installed and grounded in accordance with all codes and ordinances. Never remove the grounding prong or modify the plug in any way. Do not use adapter plugs. Check with a qualified electrician if you are in doubt as to whether the outlet is properly grounded.
- **Double insulated tools** are equipped with a polarized plug (one blade is wider than the other). This plug will only fit in a polarized outlet one way. If the plug does not fit fully in the outlet, reverse the plug. If it still doesn't fit, contact a qualified electrician to install a polarized outlet. Do not modify or alter the plug in any way.
- **Avoid body contact** with grounded surfaces such as pipes, radiators, ranges and refrigerators. There is an increased risk of electric shock if your body is grounded.
- **When operating a parts washer outside,** use an outdoor extension cord marked **W-A** or **W.+**. These cords are rated for outdoor use and reduce the risk of electric shock.
- **Extension Cord & Usage:**
 - Recommended extension cord wire gauge for Parts Washer: 14G (Medium Duty w/ 3-Prong Plug)
 - A. Replace damaged or worn cords immediately.
 - B. Check the nameplate rating of your tool. Using an improper size or gauge of extension cord may cause unsafe or inefficient operation of your tool. Be sure the extension cord is rated to allow enough current flow to the motor.

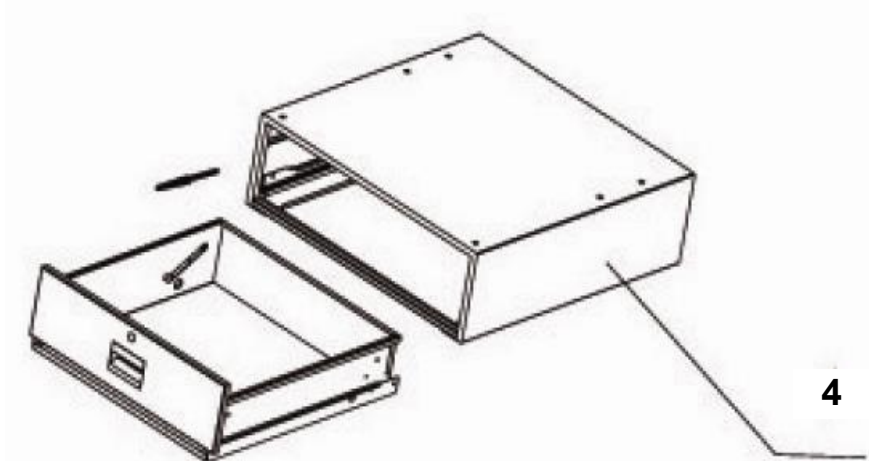
Always be sure to check the voltage & amperage requirements of the tool along with the incoming power source.
- **Do not expose** power tools to rain or wet conditions. Water entering a power tool will increase the risk of electric shock.
- **Do not let your fingers** touch the terminals of the plug when inserting or removing it from the outlet.
- **Ground fault circuit interrupters.** If the work area is not equipped with a permanently installed Ground Fault Circuit Interrupter outlet (GFCI), use a plug-in GFCI between the power tool or extension cord and the power receptacle.

ASSEMBLY INSTRUCTIONS

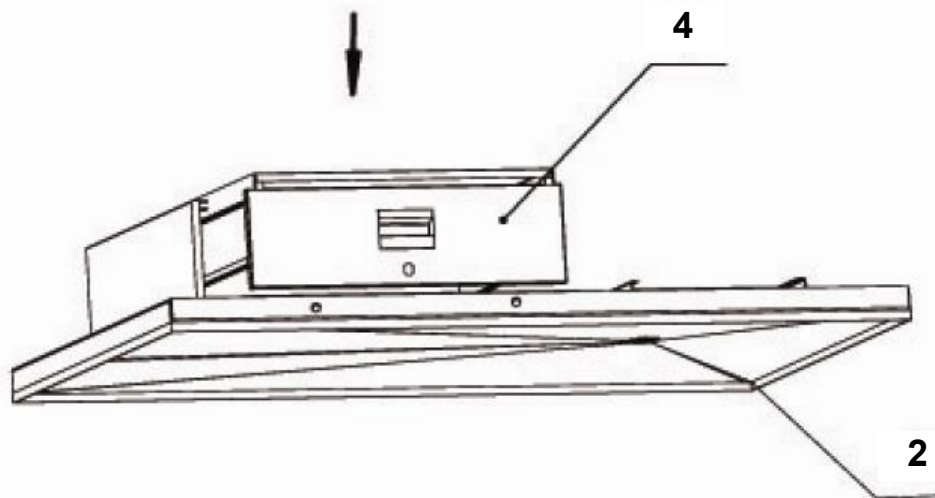
1. Remove the **Fixed Mounts (A & B)** from the **Tabletop (2)**.



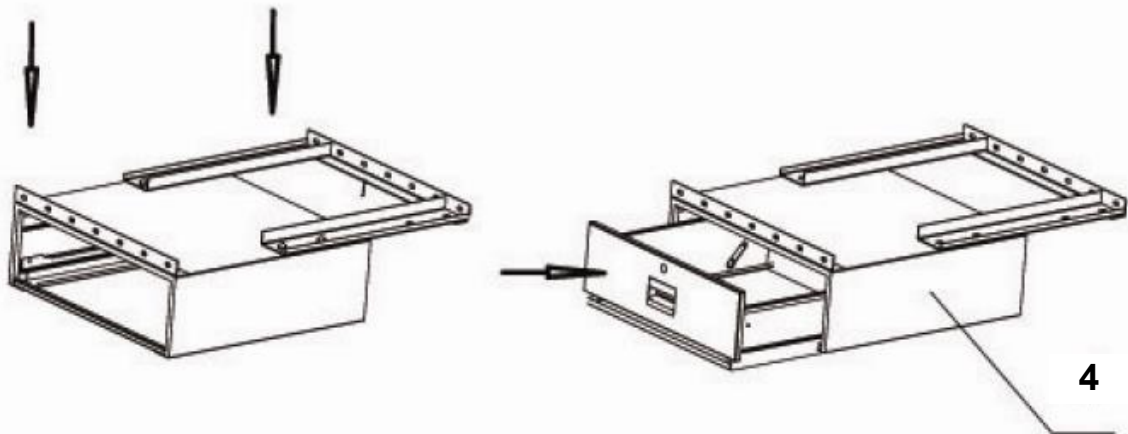
2. Remove the **Drawer** from the **Shell (4)**.



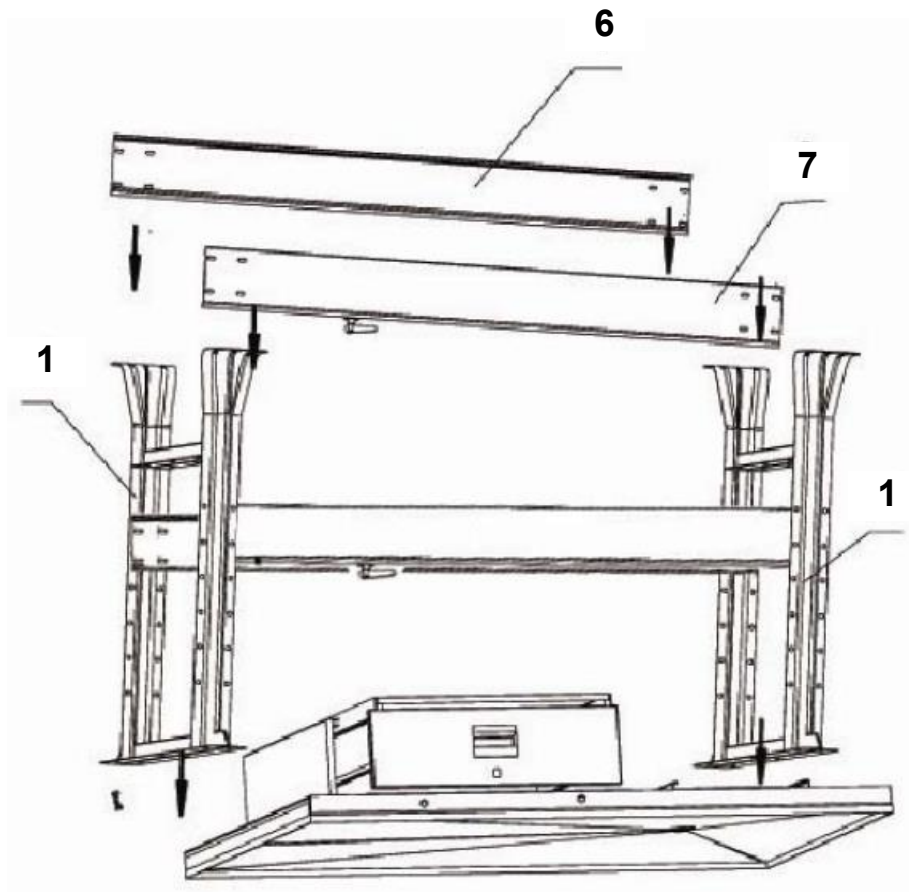
3. Attach the **Fixed Mounts (A & B)** to the **Drawer Shell (4)** with Bolts, and then carefully insert Drawer into the Shell.



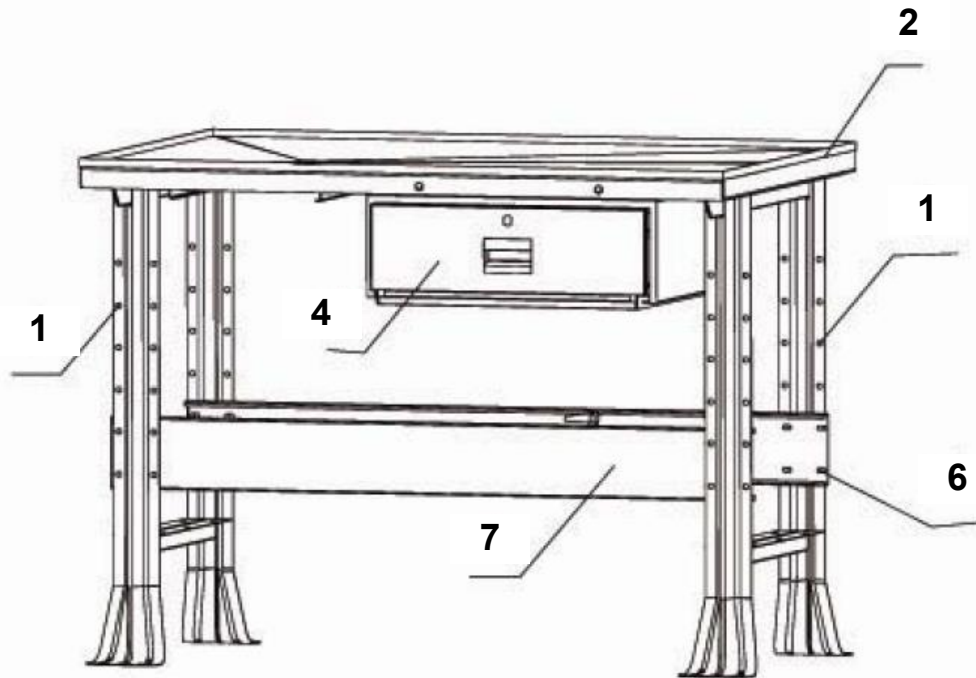
4. Assemble the **Drawer (4)** with the **Fixed Mounts** to **Tabletop**.



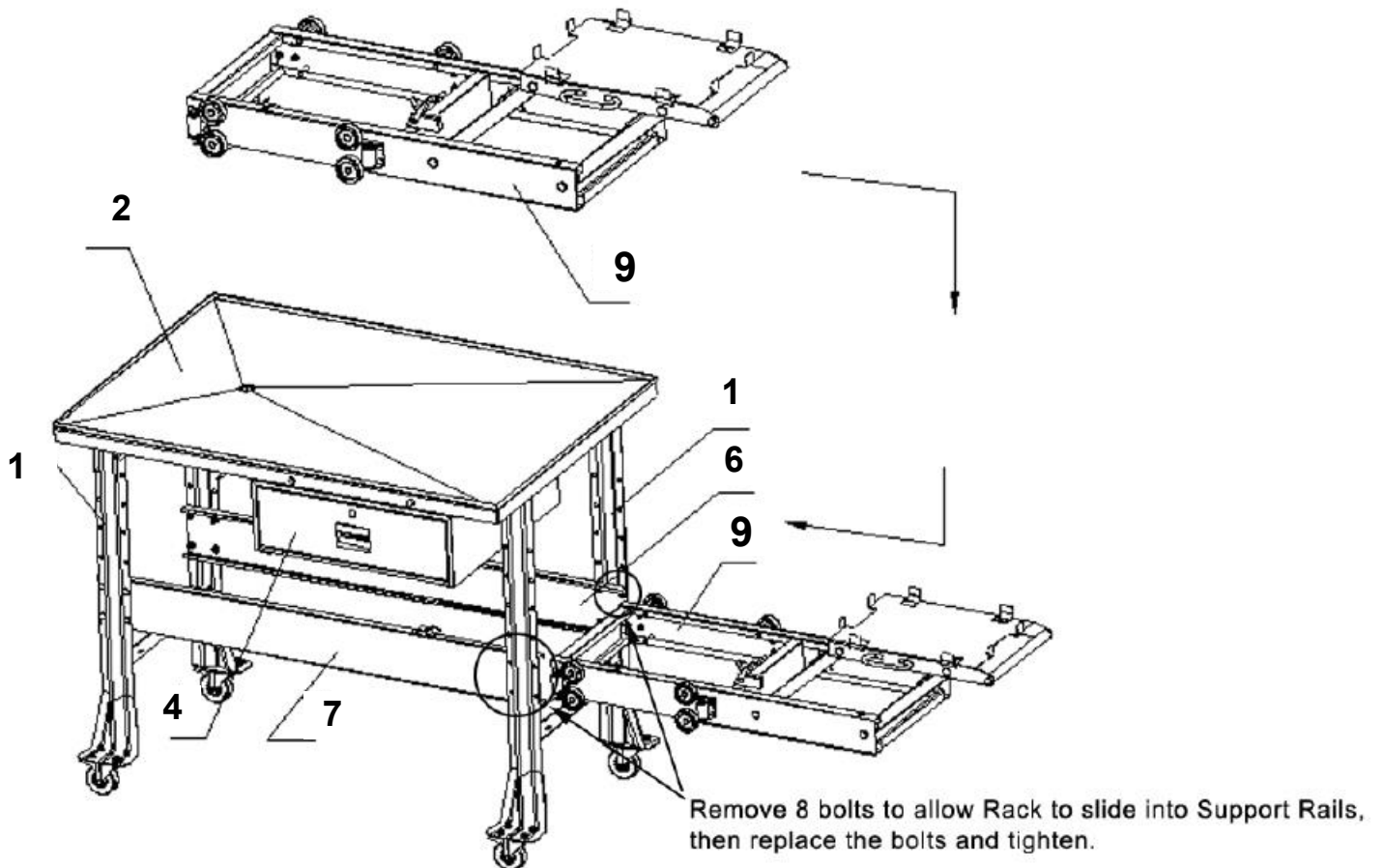
5. Attach the **Two Leg Assemblies (1)** to the **Tabletop** & two **Terminals**. Then connect the **Support Rails (6 & 7)** with the bottom four holes on the legs, as shown below.



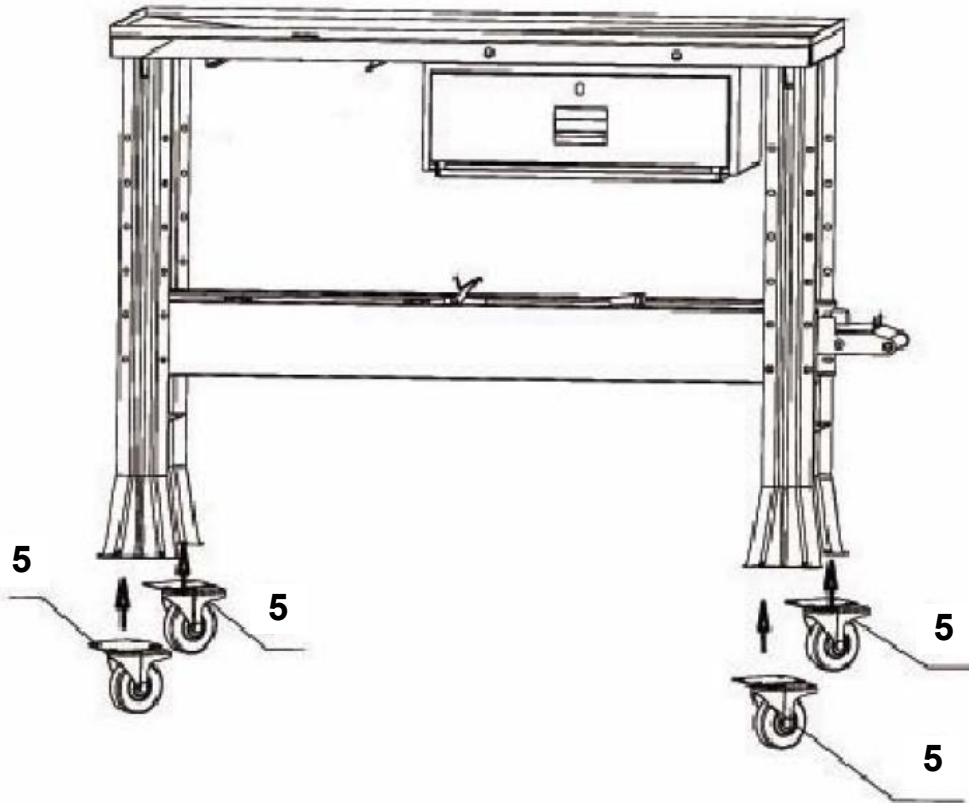
6. Carefully rotate the assembled **Table with Leg Assemblies (1)** and **Support Rails (6 & 7)** in the upright position.



7. There are 8 bolts at the right side of **Support Rails (6 & 7)** connected to Legs; remove the 8 these bolts. Slide the **Rack Assembly (9)** into the **Support Rails** & retighten the 8 bolts as shown below.



8. Affix **Casters (5)** to bottom of Leg Assemblies for easy maneuverability. It's recommended to install locking casters on same side.

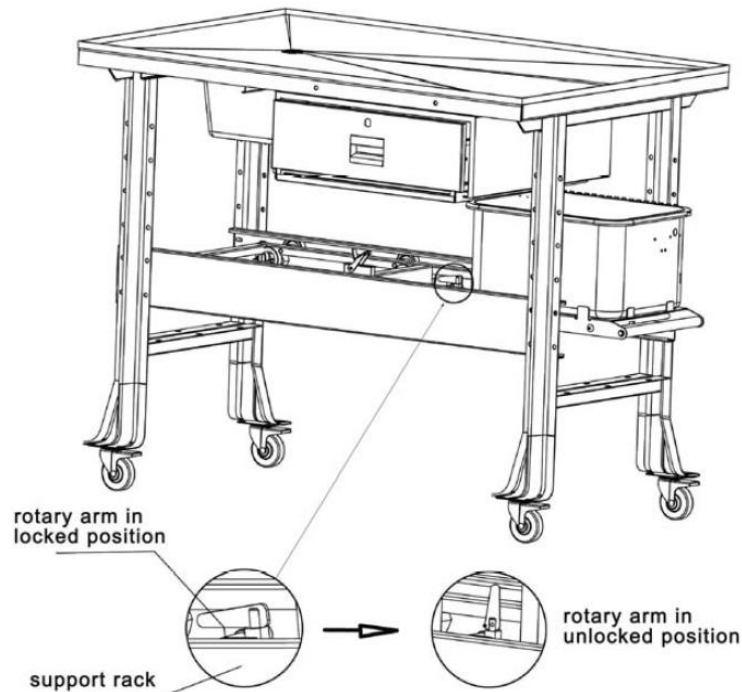


9. Insert the **Liquid Collection Box (3)** into the rails on the underside of the **Tabletop (2)** & insert the **Parts Washer (10)** onto the sliding **Rack Base (9)** and affix both, as shown below.

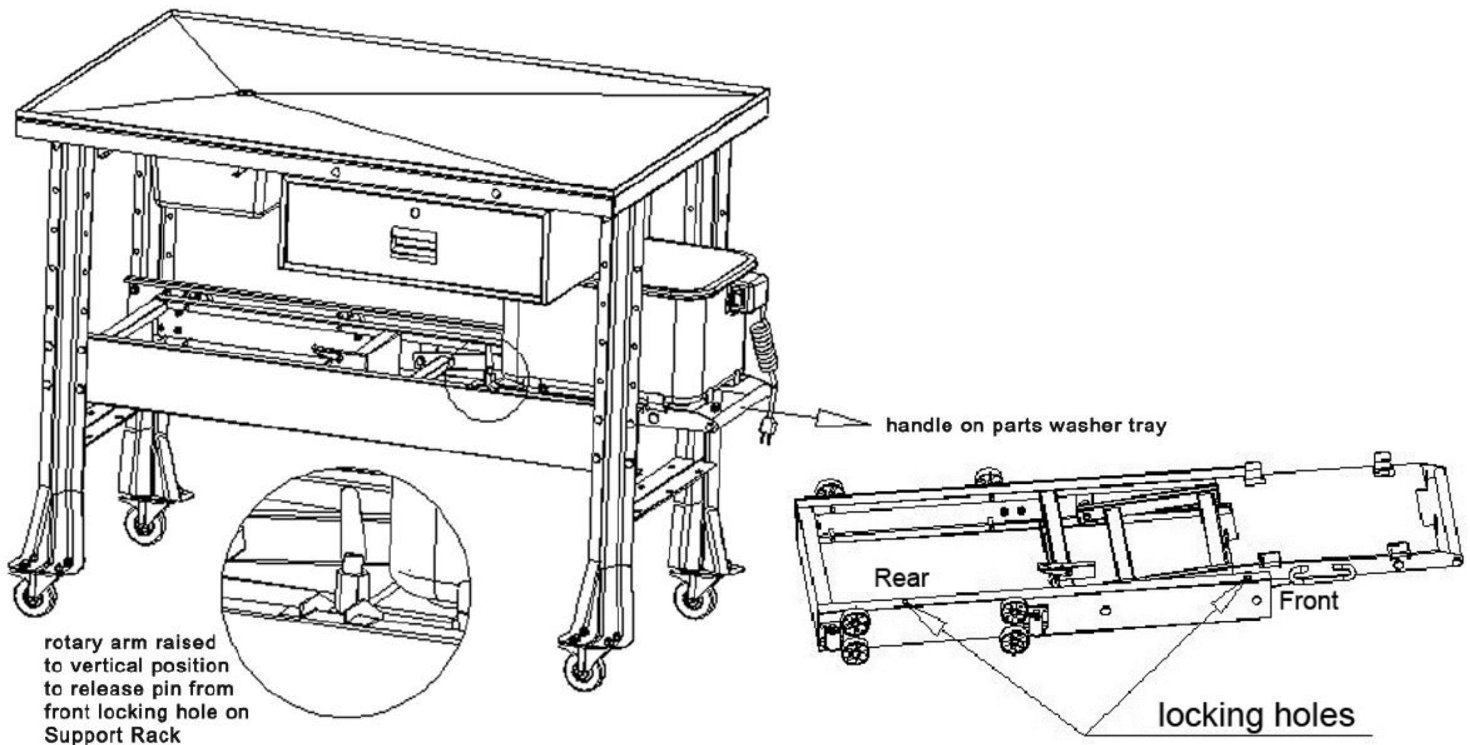


OPERATION INSTRUCTIONS

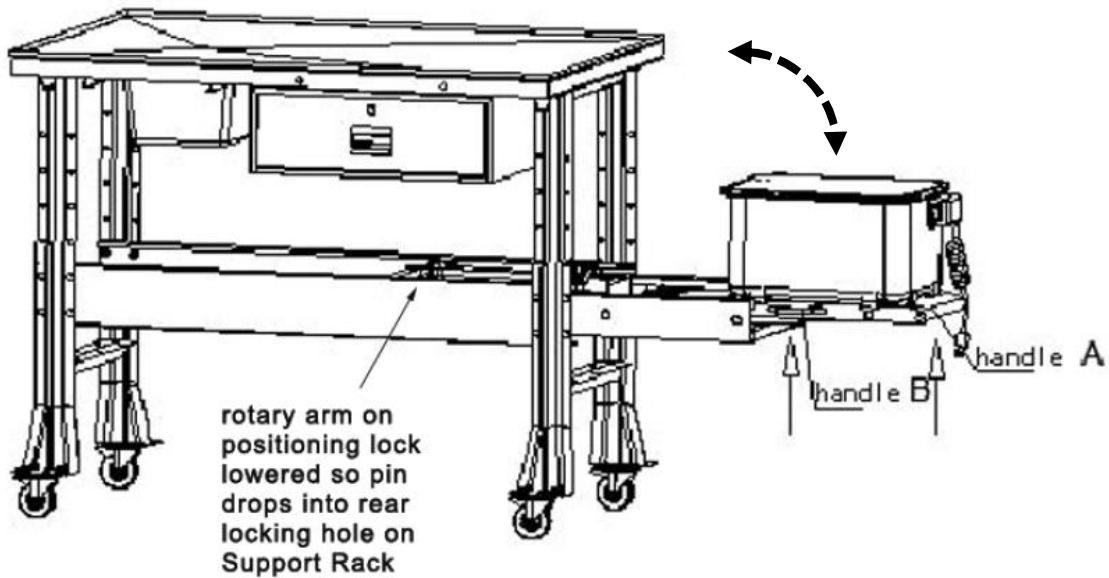
1. To locate the Parts Washer into the operating position, first release it from its locked position on the sliding **Support Rack** by rotating the **Rotary Arm Tab**, which is attached to the Pin Lock from the horizontal to the vertical position. This lifts the **Pin Lock** out of the locking hole in the Support Rack allowing to slide out, as shown below.



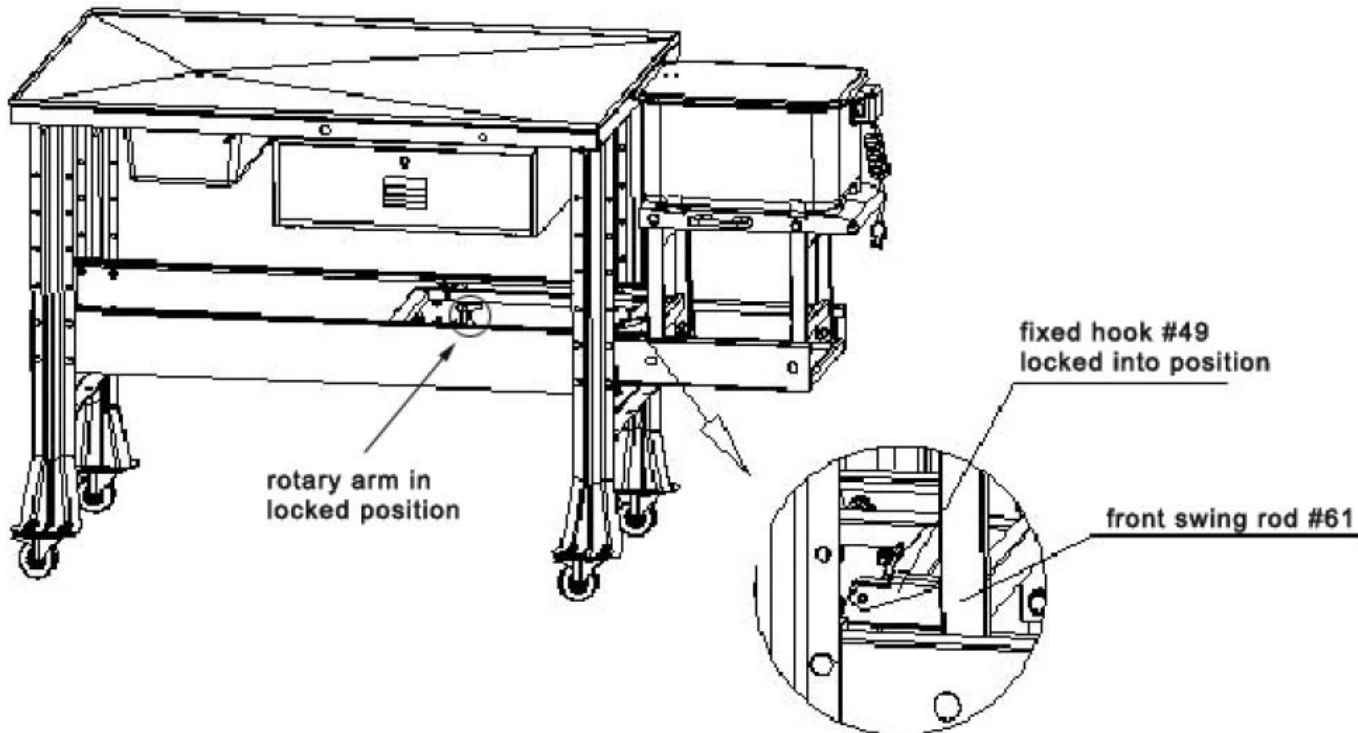
2. Once the Parts Washer has been released from the locked position, slide it out from under the tabletop. Do this by pulling the **Handle** on the front of the **Parts Washer Tray**. Once the Parts Washer is fully extended, then lower the **Rotary Arm Tab** into the rear locking hole on the support rack, so that it is locked in the extended position.



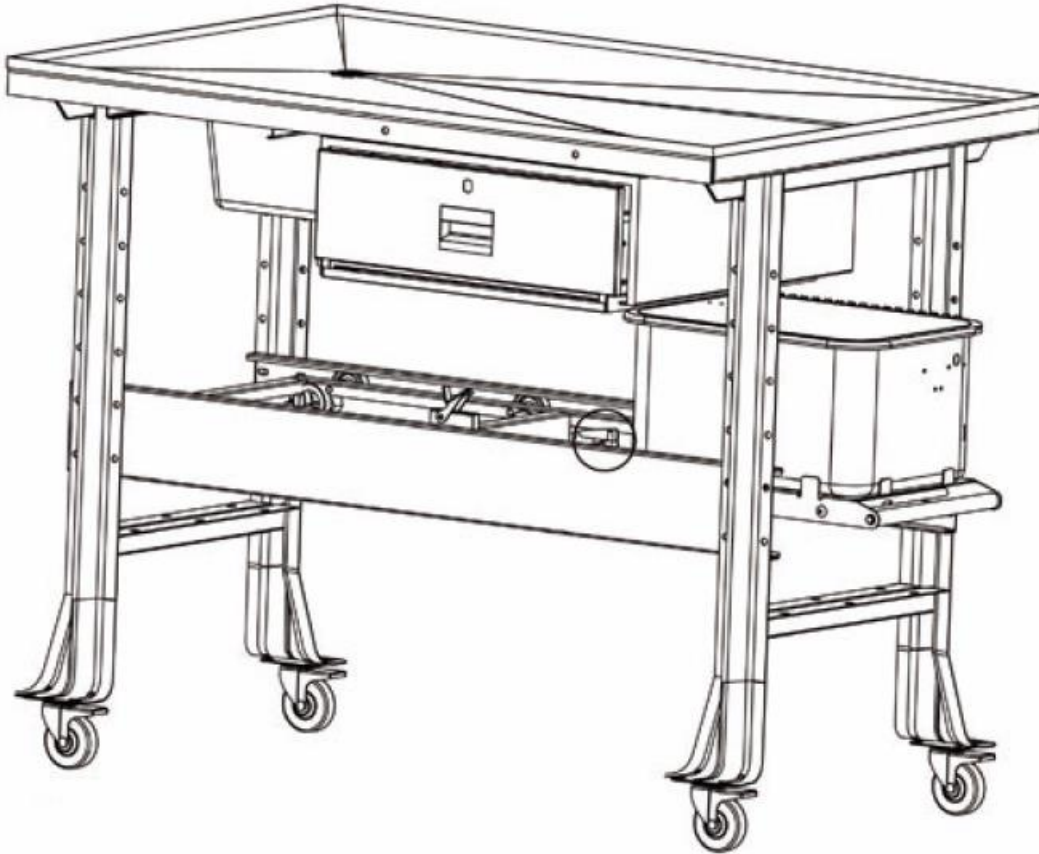
3. Next, raise the Parts Washer using **Handles (A & B)** until the swing rods supporting the Parts Washer are in the vertical position and Parts Washer is positioned against tabletop.



4. Flip the **Fixed Hook (49)** down and place the head of the Hook Insert into the hole of **Front Swing Rod (61)** to assure stability and to lock the Parts Washer into the operating position.



5. To store Parts Washer when not in use, release the **Fixed Hook (49)**, then raise the **Rotary Arm Lever** to the vertical position to unlock and then lower the Parts Washer to the rack and slide it under the tabletop. Once the Parts Washer is stored below the tabletop, lower the **Rotary Arm Lever** to the horizontal position to lock the Parts Washer in place.



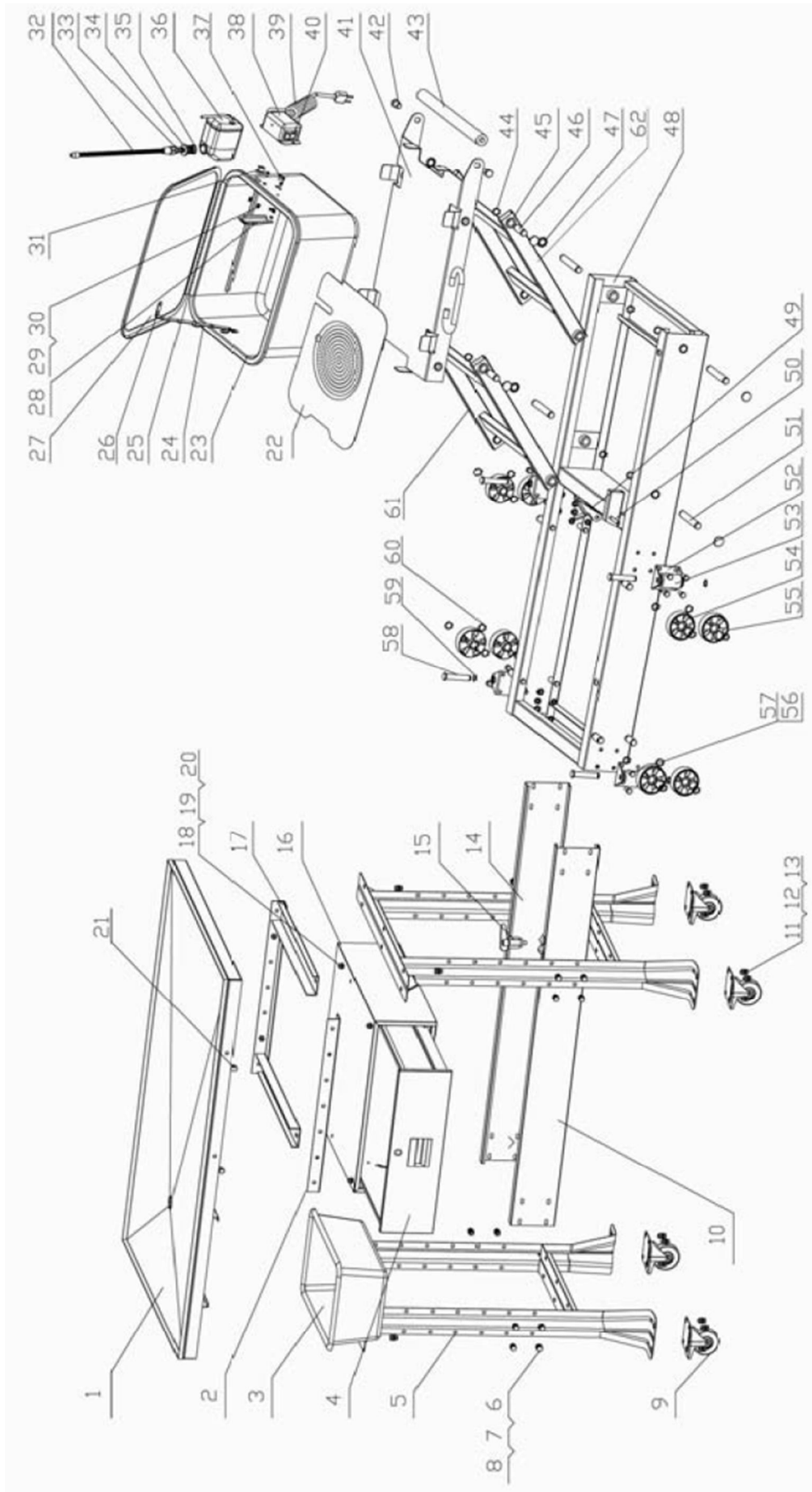
MAINTENANCE



WARNING: Make sure this tool is disconnected from its power source before attempting any maintenance, cleaning, or inspection.

- ❖ **Maintain Tools.** It is recommended that the general condition of any tool be examined before use. Keep your tools in good repair by adopting a program of conscientious repair and maintenance in accordance with the recommended procedures found in this manual. If any abnormal vibrations or noise occurs, turn the tool off immediately and have the problem corrected before further use. Have all necessary repairs made by qualified service professional.
- ❖ **Cleaning.** Use only soap and a damp cloth to clean your tools. Many household cleaners are harmful to plastics and other insulation. Never let liquid get inside a tool.

EXPLODED VIEW



PARTS LIST

ITEM	TUX P/N	DESCRIPTION	QTY
1	PTDT-PW-1000-001	TDT PLATFORM TOP	1
2	PTDT-PW-1000-002	STORAGE DRAWER, PLATE	1
3	PTDT-PW-1000-003	PLASTIC CATCH BASIN	1
4	PTDT-PW-1000-004	STORAGE DRAWER	1
5	PTDT-PW-1000-005	LEG ASSEMBLY	2
6	PTDT-PW-1000-006	BOLT, M8 X 15MM	16
7	PTDT-PW-1000-007	WASHER, M8	16
8	PTDT-PW-1000-008	LOCKNUT, M8	16
9	PTDT-PW-1000-009	LOCKING / SWIVEL CASTERS	2 / 2
10	PTDT-PW-1000-010	(PTDT-PW) FRONT, PANEL BRACKET	1
11	PTDT-PW-1000-011	BOLT, M8X15MM	16
12	PTDT-PW-1000-012	WASHER, M8	16
13	PTDT-PW-1000-013	LOCKNUT, M8	16
14	PTDT-PW-1000-014	(PTDT-PW) REAR, PANEL BRACKET	1
15	PTDT-PW-1000-015	ROTARY ARM LOCK	1
16	PTDT-PW-1000-016	STORAGE DRAWER SHELL	1
17	PTDT-PW-1000-017	STORAGE DRAWER, FRAME	1
18	PTDT-PW-1000-018	BOLT, M8X15MM	16
19	PTDT-PW-1000-019	WASHER, M8	16
20	PTDT-PW-1000-020	LOCKNUT, M8	16
21	PTDT-PW-1000-021	BOLT, M8X30MM	2
22	PTDT-PW-1000-022	DRAIN PAN	1
23	PTDT-PW-1000-023	RESERVOIR TANK	1
24	PTDT-PW-1000-024	LID LINKAGE	1
25	PTDT-PW-1000-025	LID HINGE	1
26	PTDT-PW-1000-026	RIVETS	4
27	PTDT-PW-1000-027	WASHER LID	1
28	PTDT-PW-1000-028	CABLE CLAMP	1
29	PTDT-PW-1000-029	BOLT, M4	5
30	PTDT-PW-1000-030	GASKET, M4	5
31	PTDT-PW-1000-031	CABLE SHEATH	1
32	PTDT-PW-1000-032	FLEXIBLE METAL PIPE	1
33	PTDT-PW-1000-033	O%RING, D10 X 2.65±	1
34	PTDT-PW-1000-034	FLUID SWITCH	1
35	PTDT-PW-1000-035	O%RING, D14 X 2.65±	1
36	PTDT-PW-1000-036	FLUID PUMP	1
37	PTDT-PW-1000-037	CROSS BOLT, M4	5
38	PTDT-PW-1000-038	SWITCH BOX	1
39	PTDT-PW-1000-039	CABLE PLUG	1
40	PTDT-PW-1000-040	BOAT SWITCH	1
41	PTDT-PW-1000-041	BASE TRAY	1
42	PTDT-PW-1000-042	FLANGE BOLT, M10	2
43	PTDT-PW-1000-043	HANDLE	1
44	PTDT-PW-1000-044	SHAFT CIRCLIP, D12	8
45	PTDT-PW-1000-045	SHORT, SWING ROD	4
46	PTDT-PW-1000-046	BACK, SWING ROD	1
47	PTDT-PW-1000-047	BEARING CLIP, D12	8
48	PTDT-PW-1000-048	SLIDING RACK BASE	1
49	PTDT-PW-1000-049	FIXED HOOK	1
50	PTDT-PW-1000-050	ELASTIC PIN, D6 X 30MM	1
51	PTDT-PW-1000-051	LONG, SWING ROD	4
52	PTDT-PW-1000-052	GUIDE WHEEL, BASE	4
53	PTDT-PW-1000-053	GUIDE WHEEL	4
54	PTDT-PW-1000-054	SMALL PULLEY	4
55	PTDT-PW-1000-055	BIG PULLEY	4
56	PTDT-PW-1000-056	FLANGE BOLT, M6	16
57	PTDT-PW-1000-057	LOCKNUT, M6	16
58	PTDT-PW-1000-058	GUIDE WHEEL AXIS	4
59	PTDT-PW-1000-059	SHAFT CIRCLIP, D10	4
60	PTDT-PW-1000-060	SHAFT CIRCLIP, D12	16
61	PTDT-PW-1000-061	FRONT, SWING ROD	1
62	PTDT-PW-1000-062	BACK, SWING ROD	1

LIMITED WARRANTY

Structural Warranty:

The following parts and structural components carry a five-year warranty:

Columns	Arms	Uprights	Swivel Pins
Legs	Carriages	Overhead Beam	
Tracks	Cross Rails	Top Rail Beam	

Limited One-Year Warranty:

Tuxedo Distributors, LLC (iDEAL) offers a limited one-year warranty to the original purchaser of Lifts and Wheel Service equipment in the United States and Canada. Tuxedo will replace, without charge, any part found defective in materials or workmanship under normal use, for a period of one year after purchase. The purchaser is responsible for all shipping charges. This warranty does not apply to equipment that has been improperly installed or altered or that has not been operated or maintained according to specifications.

Other Limitations:

This warranty does not cover:

1. Parts needed for normal maintenance
2. Wear parts, including but not limited to cables, slider blocks, chains, rubber pads and pulleys
3. Replacement of lift and tire changer cylinders after the first 30 days. A seal kit and installation instructions will be sent for repairs thereafter.
4. On-site labor

Upon receipt, the customer must visually inspect the equipment for any potential freight damage before signing clear on the shipping receipt. Freight damage is not considered a warranty issue and therefore must be noted for any potential recovery with the shipping company.

The customer is required to notify Tuxedo of any missing parts within 72 hours. Timely notification must be received to be covered under warranty.

Tuxedo will replace any defective part under warranty at no charge as soon as such parts become available from the manufacturer. No guarantee is given as to the immediate availability of replacement parts.

Tuxedo reserves the right to make improvements and/or design changes to its lifts without any obligation to previously sold, assembled or fabricated equipment.

There is no other express warranty on the Tuxedo lifts and this warranty is exclusive of and in lieu of all other warranties, expressed or implied, including all warranties of merchantability and fitness for a particular purpose.

To the fullest extent allowed by law, Tuxedo shall not be liable for loss of use, cost of cover, lost profits, inconvenience, lost time, commercial loss or other incidental or consequential damages.

This Limited Warranty is granted to the original purchaser only and is not transferable or assignable.

Some states do not allow exclusion or limitation of consequential damages or how long an implied warranty lasts, so the above limitations and exclusions may not apply. This warranty gives you specific legal rights and you may have other rights, which may vary from state to state.

8320 E Hwy 67, Alvarado, TX 76009
Ph. 817-558-9337 / Fax 817-558-9740