



LT-PT2500AH-X

POWERTRAIN LIFT TABLE

(AIR / HYDRAULIC OPERATION)

2,500 lbs. Capacity (1134 Kg)



ASSEMBLY & OPERATION MANUAL

IMPORTANT!!

READ MANUAL THOROUGHLY BEFORE ASSEMBLING, OPERATING, OR MAINTAINING LIFT TABLE. WHEN COMPLETED WITH ASSEMBLY, ENSURE TO RETURN MANUAL & RELATED DOCUMENTS IN PROTECTIVE SLEEVE AND GIVE TO THE OWNER / OPERATOR.

Table of Contents

1. Safety & Cautions	Pages 3 - 4
• Important Statements	
• Qualification of Operators and Users	
• Cautions	
• Training	
• Owners / Employer Responsibilities	
2. Product Information & Requirements	Pages 4 - 6
• Description	
• Specifications	
• Dimensions	
• Receiving & Handling	
• Required Tools	
• Selecting Site	
3. Assembly Instructions	Pages 7 - 8
• Removal of Lift Table From Wooden Crate	
• Mounting Handle Bar to Lift Table Base	
• Mounting Air System Control Box to Handle Bar	
• Replace Oil Reservoir Plug with Vent Plug	
• Compressed Air Supply Fitting Connection	
4. Starting Up / Testing	Page 9
• Air System Controls (Diagram)	
5. Operation Instructions	Pages 10 - 11
• Positioning, Lifting & Lowering Heavy Loads	
• PT Lift Table Feature Tips	
6. Troubleshooting	Page 12
• Power Unit Priming Procedure	
7. Inspection, Maintenance & Cleaning	Page 13
• Before Each Use (Pre-Operation Check)	
• Weekly Maintenance	
• Yearly Maintenance	
• Cleaning	
Exploded Views	Pages 14 - 17
Parts List	Pages 18 - 20
Limited Warranty Policy	Page 21

1. Safety & Cautions

Important Statements:

Please note the max weight capacity noted on the decal applied to side of the outer scissors and on the silver ID tag attached to the inner scissor. Do not try to lift any load that exceeds the rated lifting capacity. Please read this manual carefully before assembly and use of the lift table, to avoid any property loss or personal injury caused by faulty operation. No one is allowed to modify the controls, parts, or other mechanical parts of the machine without the manufacturer's permission.

Qualification of Operators and Users:

- Only personnel who have received training are allowed to operate and use lift table.
- Non-professionals shall not approach the lifting area during use.

Cautions:

- Do not use lift table on asphalt or any type of soft surface. Concrete thickness & strength must meet requirement to safely support lift table and the applied load.
- Please read and understand Safety Cautions carefully before operation of lift table.
- The lift table shall not be used outdoors if not customized to meet special water proofing requirements.
- Hands and feet shall be kept away from moving parts of the lift at all times.
- Only personnel who have received training are allowed to operate and use the lift table.
- Operators should not wear loose clothes to avoid being clamped by any moving part when the machine is descending or rising.
- Floors & surrounding area around lift table must be kept clean to help avoid accidents and possible lift table malfunctions or maneuvering issues.
- When possible, lower lift table onto safety latches after raising platform to the desired height, especially for heavy loads and/or for long time durations.
- Ensure the item(s) being raised & lowered are properly balanced & secured to platform.
- Check for any missing, broken or seized parts or components that may contribute to improper wear & tear. Once any anomaly is detected, stop use immediately and contact the dealer.
- Always fully lower lift table prior to maneuvering to another location, loaded or unloaded.
- It is not allowed to modify any part of the lift without the manufacturer's permission.
- Anyone who will be in the vicinity of the lift table when it is in use should familiarize themselves with any **CAUTION**, **WARNING**, and **SAFETY** related decals supplied with this lift table. Replace if decals become illegible or missing.
- If the lift table is to stand idle for a long period of time, it is recommended the user shall:
 - a. Lower to minimum height & engage casters locks.
 - b. Remove air supply hose from air fitting.
 - c. Check & drain any water from bottom of the water separator reservoir.
 - c. Lubricate moving parts.

Training:

Lift table operators must be qualified & trained for safe use and proper operation, as described in Manual.

Owner / Employer Responsibilities:

This is a lift table assembly / operation manual, and no attempt is made or implied herein to instruct the user in lifting methods particular to an individual application. Rather, the contents of this manual are intended as a basis for operation and maintenance of the unit as it stands alone or as it is intended and anticipated to be used in conjunction with other equipment.

Proper application of the equipment described herein is limited to the parameters detailed in the specifications and the usages set forth in the descriptive passages. Any other proposed application of this equipment should be documented and submitted in writing to the factory for examination. The user assumes full responsibility for any equipment damage, personal injury, or alteration of the equipment described in this manual or any subsequent damages.

2. Product Information

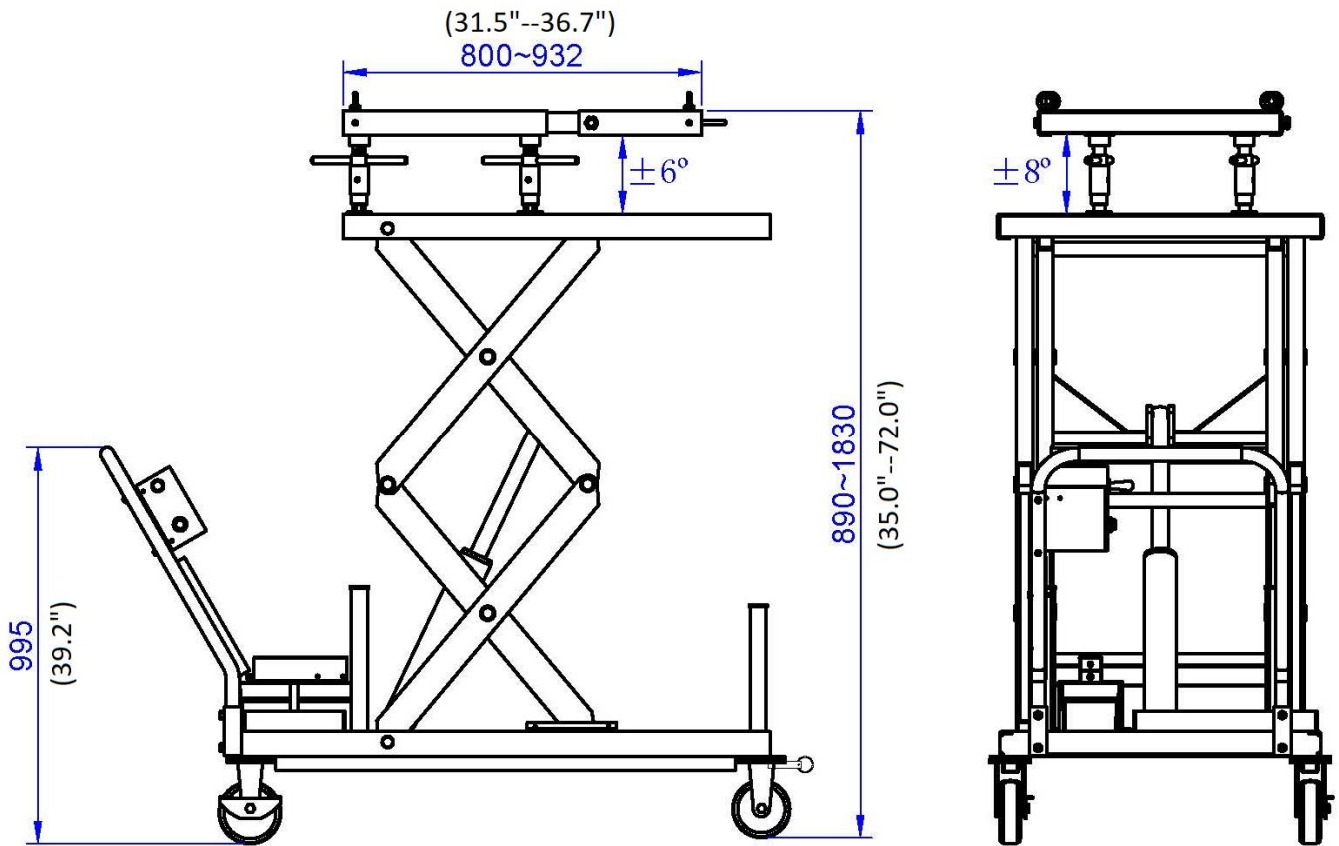
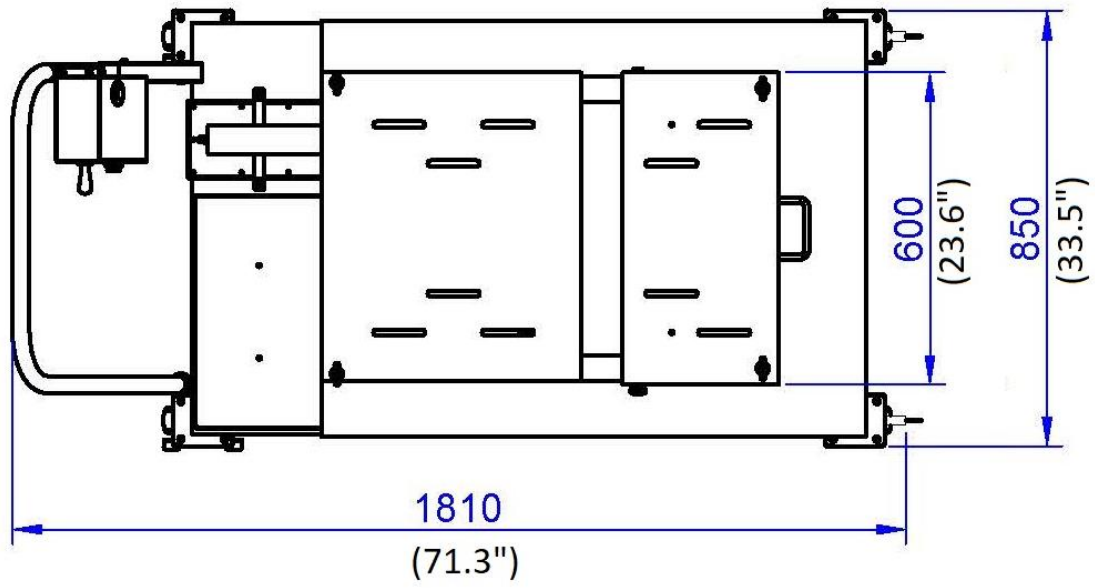
Lift Table Description: (LT-PT2500AH-X)

The iDEAL LT-PT2500AH-X is a 2,500 lb. portable, high-rise industrial grade air-hydraulic lift table, incorporating a multi-adjustable powertrain platform primarily designed to assist with controlled lifting & lowering tasks to safely remove, replace or service heavy vehicle powertrain components such as engines, transmissions, drive-axle & transaxle assemblies, or other similar heavy components. The LT-PT2500AH-X comes standardly equipped with a durable multi-adjustable powertrain platform that includes expanded length, tilt & height adjustments, while also incorporating an exclusive fully operational pneumatic hand operated stainless-steel control panel with integrated air gauge & water separator. In addition, iDEAL Powertrain 2500 lb. Lift Table comes standard with high-quality locking swivel & directional poly casters, tool tray, removable hand bar, double lift scissors, HD air-hydraulic pump & hydraulic cylinder, tie-down anchors, and heavy duty ratchet strap. Optional Quick Mount PT Support Stand Kit also available, providing additional support for various powertrain components.

Specifications:

Lift Model	LT-PT2500AH-X
Capacity	2,500 lbs.
Overall Length	71.3"
Overall Width	33.5+
Max PT Platform Height	72"
Min PT Platform Height	35"
Hand Bar Height	39.2+
PT Platform Adj. Size (L x W)	31.5+to 36.7" x 23.6"
PT Platform Adj. Tilt Angle (+/-)	6° to 8°
PT Platform Locking Heights	49+, 61+, 68+
Lifting / Lowering Rate	72S / 33S
Power Supply (Compressed Air)	90 - 125 PSI (6 - 9 Bar)
Ship Weight	798 lbs.

Dimensions: (LT-PT2500AH-X)



Receiving & Handling:

Unloading Lift Table Crate: The Lift Table may be delivered with LTL lift gate service from the freight carrier, which a pallet jack or dolly with a minimum of 1,000 lb. capacity will only be required to remove crate from lift gate, in most cases. If not able to deliver with lift gate service, then a forklift or shop type crane able to support a minimum of 1,000 pounds will be required to offload from the back of freight carrier trailer. The lift table crate packaging weighs close to 1,000 pounds, not including any optional accessories that may be included.

Required Tools:

- Pallet Jack or Fork Lift (Min. 1,000 lb. Capacity)
- Crow Bar / Hammer
- HD Scissors or Utility Knife
- Socket Wrenches with Ratchet
- Adjustable Wrench
- Philips Screwdriver
- Gloves
- Safety Glasses
- Gloves

Selecting Site:

NOTE: Before assembling and operating your new lift table, ensure to check the following:

Overhead Obstructions:

The area where the lift table will be operated should be free of any overhead obstructions such as heaters, building supports, electrical lines, etc.

Floor / Surface Requirements:

Do not use lift table on asphalt or any type of soft surface. Concrete thickness & strength must meet requirement to safely support lift table and the load being applied. Also ensure lift table is used & operated on dry, grease free, level concrete surface. Do not operate lift table on concrete expansion seams or cracked, defective concrete.

WARNING!!! Failure to adhere to foundation requirements may cause lift table instability, which could result in personal injury and/or property damages.

Operating Conditions:

The lift table is not intended for outdoor use and has an operating ambient temp range of 41° - 104°F (5° - 40°C).

CAUTION: DO NOT use lift table outdoors unless special consideration has been made to protect from weather conditions.

3. Assembly Instructions

WARNING!! Improper assembly can cause accelerated wear, resulting in catastrophic failure which may cause property damage and / or bodily injury. Manufacturer will assume no liability for loss or damage of any kind, expressed or implied, resulting from improper installation or use of this product. Read this installation manual in its entirety before attempting to assemble or operate the lift table.

Step 1: Removal of Lift Table From Wooden Crate

NOTE: It is recommended removing lift table from wooden crate using a forklift, with a minimum of 1,000 lb. capacity. Lift table is elevated & secured to wooden blocks inside crate.

- 1) Using gloves, carefully remove banding straps secured around crate with heavy duty scissors or utility knife.
- 2) Remove lid, using a crow bar or hammer, beginning at one corner. Set aside, once removed.
- 3) Open one of the crates wide side walls, by bending all metal tabs at each corner end. Once metal tabs are aligned to tab holes, use hammer to help remove side wall from crate walls. Set aside, out of way, once removed.
- 4) Carefully, use forklift to remove lift table from support blocks inside crate, ensuring to position forks width to be inside of support blocks, clear of caster wheels. Raise lift table using the underside the lift table frame, ensuring the forklift forks fully contact & support the whole frame.
- 5) Once lift table is slightly raised off support blocks, double check for any clearance issues, then carefully back lift table out of crate with forklift, and lower to the ground for assembly steps.

Step 2: Mounting Handle Bar to Lift Table Base

- 1) Remove **handle bar** from the lower table base platform and remove packaging. Insert the handle bar ends into the tubular sockets positioned at the trolley / power end of lift table's base.
- 2) Secure with **M10 x 20mm bolts**, ensuring both bar ends are fully inserted into tubular sockets. **Fig. 1.**

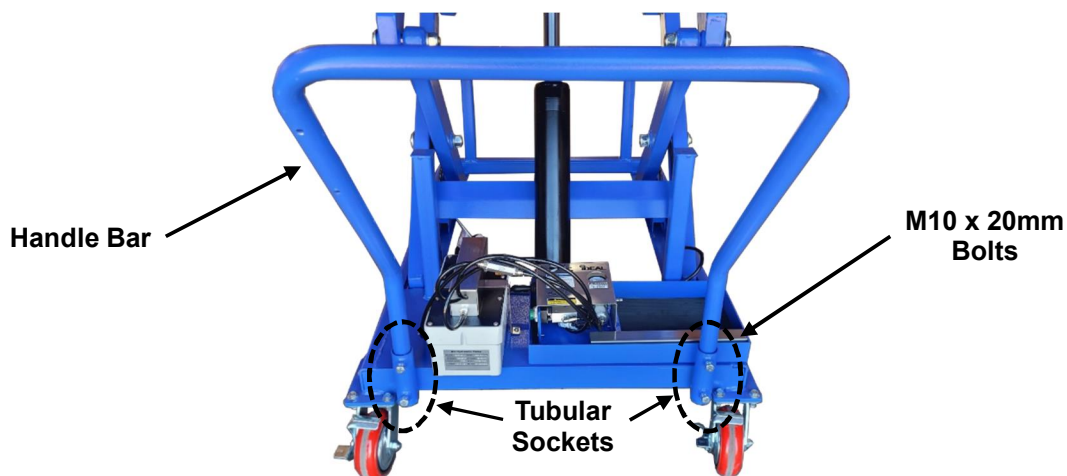


Fig. 1

Step 3: Mounting Air System Control Box to Handle Bar

- 1) With the handle bar mounted & secured, find the pre-assembled 'stainless-steel' air system control box located in the tool tray at the base of the lift table. Fig 2.
- 2) Carefully raise & position the air system control box to align its base plate holes to the upper holes on the left handle bar side, ensuring not to loosen, detach or pinch the pre-routed airlines. Mount the control box assembly to handle bar with 2ea M6 x 45mm screws & M6 lock nuts. Fig. 3.
- 3) Mount the 'stainless-steel' airline protective cover on the vertical section of left handle bar, using 2ea M6 x 45mm screws & M6 lock nuts. Carefully group airlines together when aligning & mounting protective cover, so not to pinch or damage airlines. Fig. 4.



Fig. 2

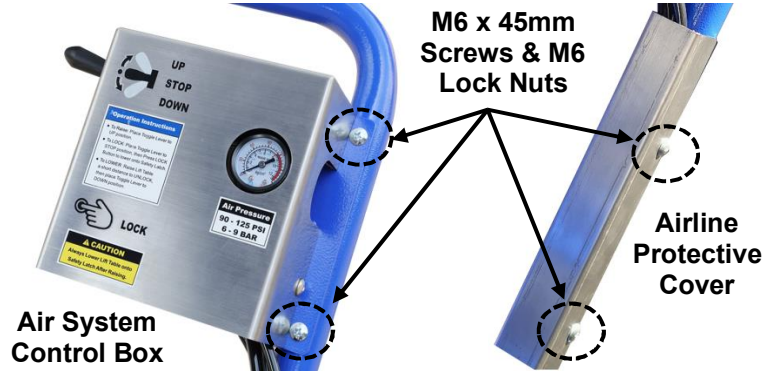


Fig. 3

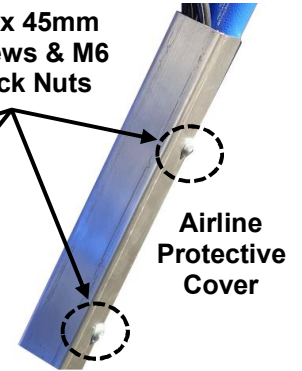


Fig. 4.

Step 4: Replace Oil Reservoir Plug with Vent Plug

- 1) On the air-hydraulic pump, locate & remove the black 'shipping' plug on the reservoir tank with wrench and replace with brass 'vented' plug, located in the plastic bag. Fig 5.

Step 5: Compressed Air Supply Fitting Connection

- 1) On the outside of the air system control box, connect the 'quick disconnect' air 'inlet' fitting to the inlet port on the air regulator. Ensure air fitting connection is properly tightened. Fig 6.
- 2) Connect compressed air supply to the air inlet fitting with air pressure set at 90 to 125 PSI.

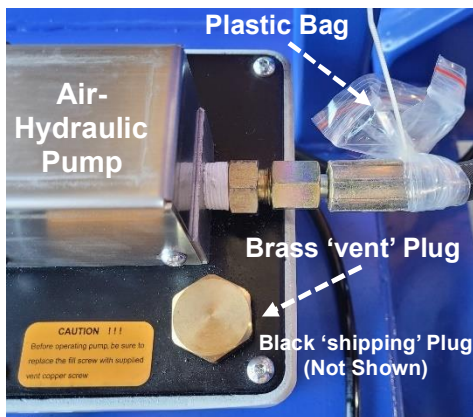


Fig. 5

NOTE:
Replace the Black 'shipping' Plug with Brass 'vented' Plug before Lift Table Operation!



Fig. 6

4. Start-Up / Testing

CAUTION: Prior to the Start-Up / Testing, visually inspect lift table for any signs of damages, defects and/or any missing or loose components. If any issues are discovered, DO NOT perform the Start-Up / Testing procedure, and contact the dealer to resolve.

NOTE: Perform Start-Up Test without placing a load on lift table.

Air System Operation Controls



IMPORTANT: Ensure compressed air supply is set at 90 to 125 PSI for proper lift table operation and performance. Check air fitting connections for proper tightness.

NOTE: The integrated lift table air regulator has already been pre-set at the factory for optimal performance.

- Position the Toggle Lever to the 'UP' position.** (The air-hydraulic pump will prime the hydraulic oil into the hydraulic cylinder and the lift table platform will begin to rise with safety latches passing over the welded safety latch blocks at the base of lift table frame.)
- Position the Toggle Lever to the 'STOP' position.** (The air-hydraulic pump will cease operation, stopping the lift table from rising.)
- Position the Toggle Lever to the 'DOWN' position.** (The lift table will fully lower to the lowest height, as the hydraulic release valve is opened, and the safety latches are disengaged.)
- Position the Toggle Lever to the 'STOP' position, then Press & Hold the Green 'LOCK' Button.** (The lift table's safety latches will engage, and the lift table will lower to the next lowest safety latch position.)
- Cycle Lift Table fully 'Up & Down' a couple of times.** (This helps ensure all air is removed from the hydraulic system, while also helping to familiarize with the operational controls.)

WARNING: Never Operate the Lift Table if the Safety Latch Mechanism is not working properly.

THE LIFT TABLE IS NOW READY FOR OPERATION.

5. Operation Instructions

WARNING!!!: Never exceed rated load capacity of lift table.

CAUTION: To avoid personal injury and/or property damage, permit only trained personnel to operate lift table.

Positioning, Lifting & Lowering

A. Remove & Lower a Heavy Component:

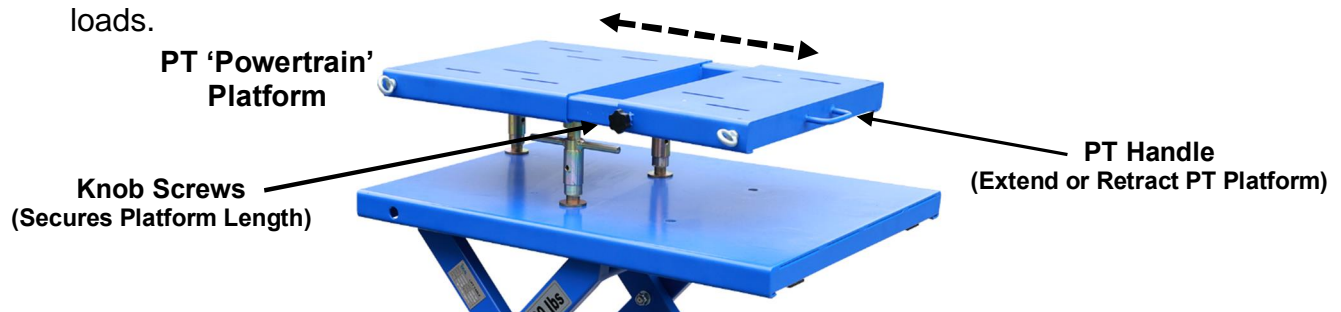
1. Follow the vehicle manufacturer's recommended service procedure for removal of the component.
2. Position the lift table under the vehicle's component to be serviced. Then connect the compressed air hose to a quick disconnect air inlet fitting on side of control box.
3. Raise the lift table's PT Platform to be near vehicle component. Apply locks to casters wheels.
4. Align the PT Platform to the bottom of the component, adjusting the PT Platform length using the 2ea Knob Screws & Handle. Adjust PT Platform's tilt angle, using the 3ea Jack Screws.
5. Carefully raise the lift table again to make contact with the component to support its weight.
6. Secure component to PT Platform using the included ratchet strap & eye bolts. **NOTE:** Eye bolts can be mounted to either the top or sides of the PT Platform.
7. Remove any remaining bolts from the vehicle component, now being supported by the lift table.
8. Lower the lift table, ensuring the vehicle component is properly supported & balanced.
9. Release caster wheel locks and carefully remove lift table from under vehicle.

B. Install & Raise a Heavy Component:

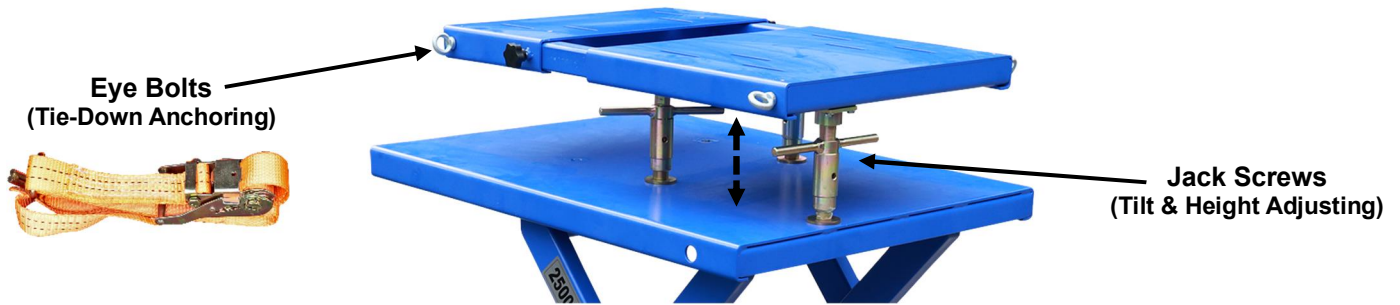
1. Follow the vehicle manufacturer recommended service procedure for installation of the component.
2. Secure the component on the lift table PT Platform first.
3. Position the lift table under a raised and fully supported vehicle chassis, typically using a two post or four post automotive lift.
4. Raise the lift table PT Platform so the component is close to the desired install position. If necessary, use Jack Screws to finely adjust the height & angle of the PT Platform to configure the component to the correct install position.
5. Follow the recommended service procedure for installing the component to vehicle.

C. Lift Table / Feature Tips: (LT-PT2500AH-X)

- A. Adjustable PT Platform 'Length'** - the small section of the PT Platform is extendable, secured with two knob screws, allowing flexibility to better configure & support component loads.

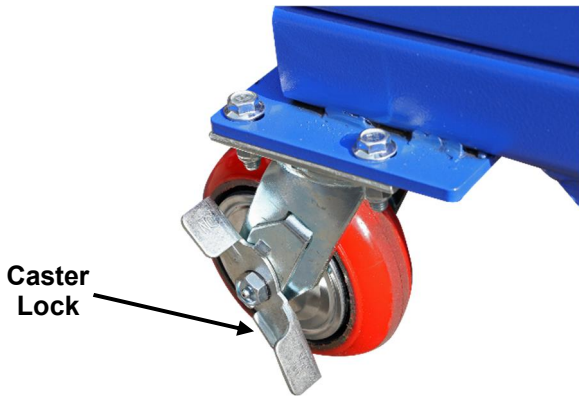


B. Adjustable PT Platform 'Tilt Angle' - the 2+adjustable Jack Screws can be rotated so that the upper PT Platform can be slightly tilted lengthwise by 6° and widthwise by 8° providing flexibility to better configure component to vehicle.

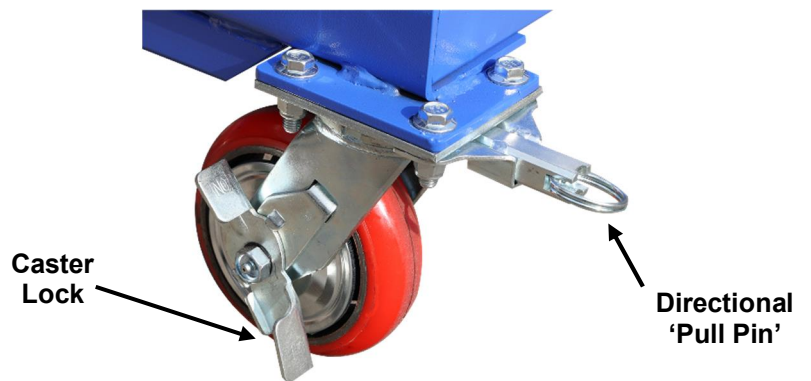


C. Adjustable Lift Table 'Poly Caster Wheels' - the front Caster Wheels also include directional locks, allowing the option to either swivel or be locked into a fixed position. This is simply done by pulling out the ring tab & rotating the pin inside the square tube.

- With the Direction Caster Pin pulled-out the Caster Wheels swivels freely, allowing the lift table to be moved laterally.
- With Direction Caster Pin inserted-in the Caster Wheel direction will be locked in place.



**Locking Swivel
Poly Caster**



**Directional & Locking
Swivel Poly Caster**

NOTE: All Poly Caster Wheels include a Manual Lock to stop caster wheel rotation.

6. Trouble-Shooting

Common lift table issues may be encountered over time. Please see probable causes & possible solutions covered in the paragraphs below. If the troubleshooting guide does not provide assistance to resolve the lift table issue(s), please contact the dealer / distributor for assistance.

WARNING!! Failure to properly relieve Air & Hydraulic pressure in the following steps can cause possible injury to personnel. Call for Technical assistance guidance, if needed.

1. Air-Hydraulic Pump Does Not Run:

- A. Compressed air is not connected to lift table.....Connect air supply to lift table air fitting.
- B. Compressed air not properly supplied.....Check that air compressor is on & charged.
- C. Defective air valve / switch (Toggle Lever)..... Replace with a new one .
- D. Detached or loose airline inside control case.....Reconnecting the airline(s).

2. Air-Hydraulic Pump Runs but Will Not Raise:

- A. Oil level too low.....Level should be at MAX Fill Line, w/ lift table fully lowered.
- B. Green LOCK button is pressed down.....Release the Green LOCK button.
- C. Defective drive cylinder in air pump.....Replace with a new pump.

3. Air-Hydraulic Pump Runs but Will Not Raise Vehicle:

- A. Compressed air pressure too low.....Increase shop air supply to be 90 to 125 PSI (6-9 Bar).
- B. Lift Table is overloaded..... Check the gross weight of loaded item.

4. Oil Blows Out Oil Reservoir Fill / Vent Plug:

- A. Oil reservoir overfilled Remove excess hydraulic fluid, w/ lift table fully lowered.
- B. Oil is aerated / foaming Air pump seal possibly defective. Inspect & replace.

5. Air-Hydraulic Pump Will Not Run:

- A. Lift table overloaded.....Remove excessive weight from lift loading.
- B. Defective air pump.....Call for repair or replace with a new pump.
- C. Compressed air pressure too low.....Increase the pressure.

6. Lift Table Jerks Up and Down:

- A. Air in hydraulic system..... Fully raise lift table & return low height. Repeat 2-3 times.

7. Oil Leaks:

- A. Air-Hydraulic Pump.....If the pump leaks oil around the reservoir tank mounting flange, check the oil level in the tank. The fluid level should not be above the MAX Fill Line.
- B. Rod End of Cylinder.....The rod seal of the cylinder is defective. Rebuild or replace cylinder.
- C. Hose or Fitting ..The hose or fitting connector.

8. Lift Table Makes Excessive Noise:

- A. Roller assemblies not moving freely.....Inspect and apply grease.
- B. Check for excessive wear on shafts & pins.....Inspect and replace, as required.
- C. Seals are dry in hydraulic cylinder(s).....Cycle lift as noted in #6.

9. Lift Table Will Not Lower:

- A. Lock Engaged already.....Before lowering down, raise up a little first.
- B. Defective Release Air Cylinders.....Inspect and replace.
- C. Defective safety latch mechanism..... Inspect and replace.

7. Inspection, Maintenance & Cleaning:

CAUTION: Failure to perform the pre-operational inspection checks, maintenance & cleaning can result in expensive product damage, lost production time, and possible personal injury.

WARNING!!: Always disconnect the compressed air supply pipe from the control case before performing any inspection, adjustments, maintenance and/or cleaning.

Before Each Use: (Pre-Operation Checks)

Inspect the general condition of the Lift Table for any possible issues that may affect the lift table's safe operation:

1. Inspect for any loose screws, misalignments, or binding of moving parts, broken parts, damaged airlines, and hoses.
2. Inspect for any air or hydraulic systems external leakages.
3. Inspect to ensure the air system & safety latches are working properly.
4. Inspect that caster wheels are not damaged and are working properly.

WARNING!!: If a noise is heard not associated with normal lift operation, or if there is any indications of impending lift table failure, **CEASE OPERATION IMMEDIATELY!** Inspect, correct and/or replace damaged or defective parts as required. Failure to heed this warning can result in serious injury, death, or damage to equipment.

Maintenance:

WEEKLY:

- Inspect and use premium quality shop grease to lubricate all moving parts using the grease zerks provided on lift table, if required.
- Release built-up moisture in water separator, by pulling quick release drain plug on the bottom reservoir, located on the underside of air system control box.

YEARLY:

- With the lift fully lowered, check the hydraulic oil level in the air-hydraulic reservoir tank to be close to the Max Fill Line. If not, add premium quality hydraulic oil until the level of oil is even with the Max Fill Line. After filling, replace the vented plug back on reservoir tank.

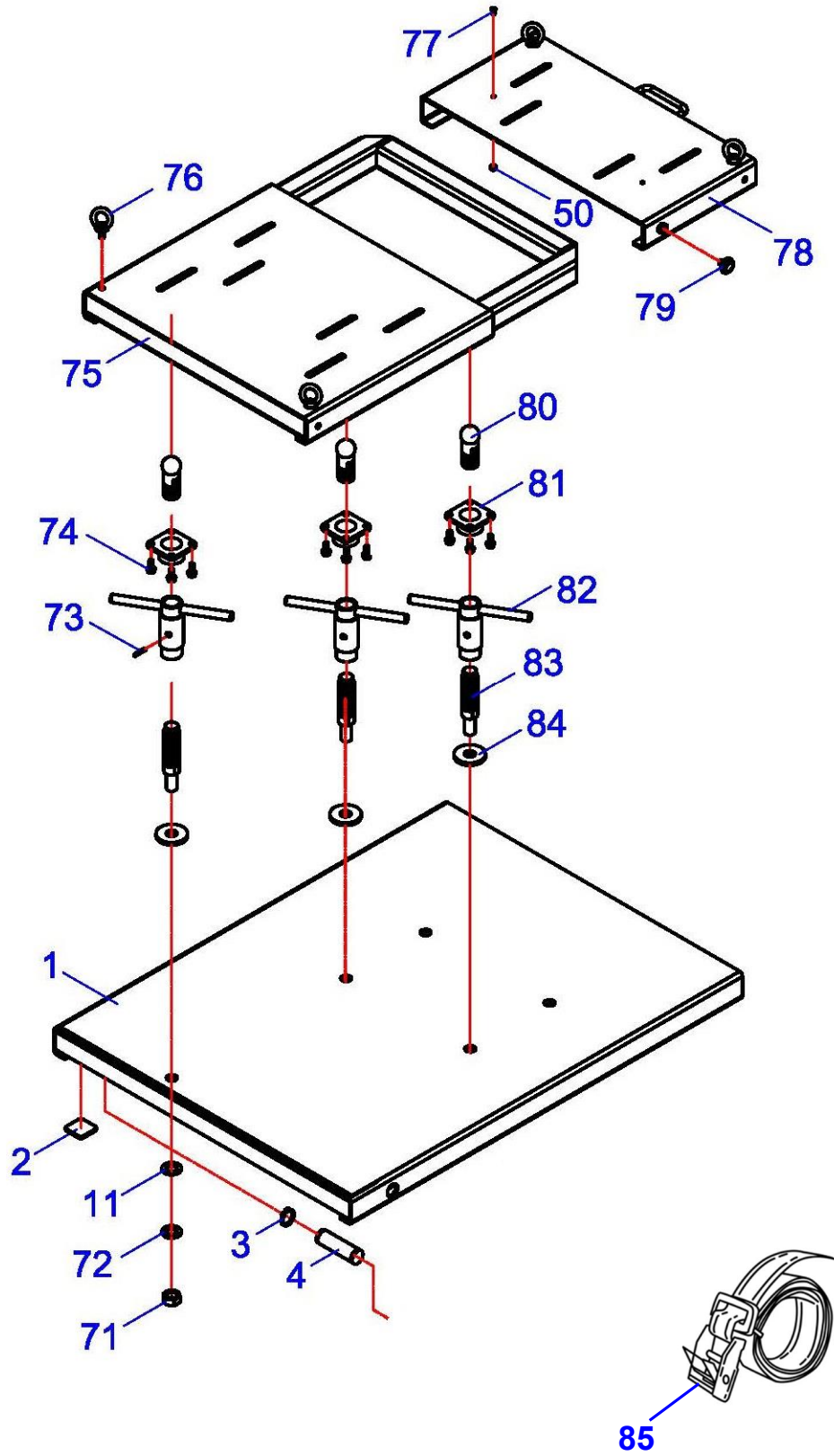
CAUTION: Never Add Hydraulic Fluid while Lift Table is in the raised position!

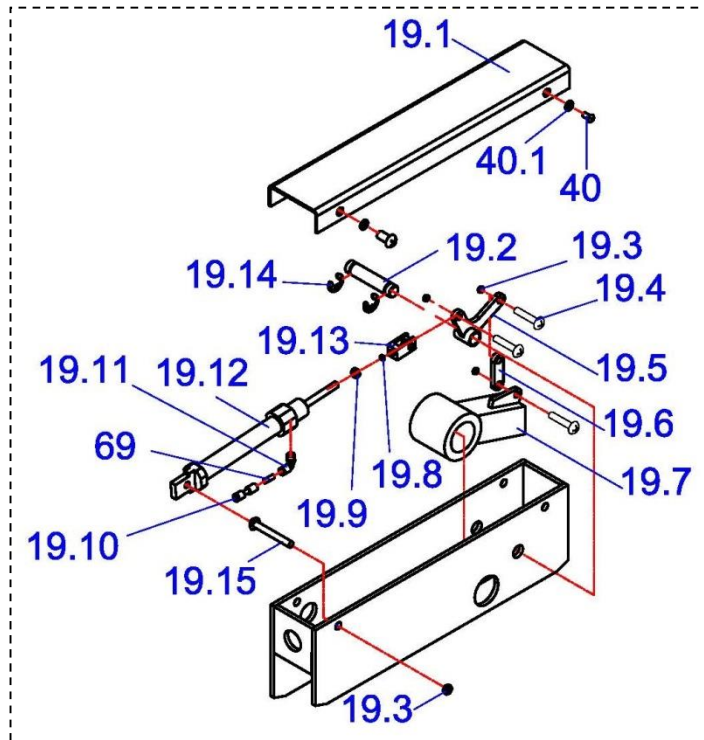
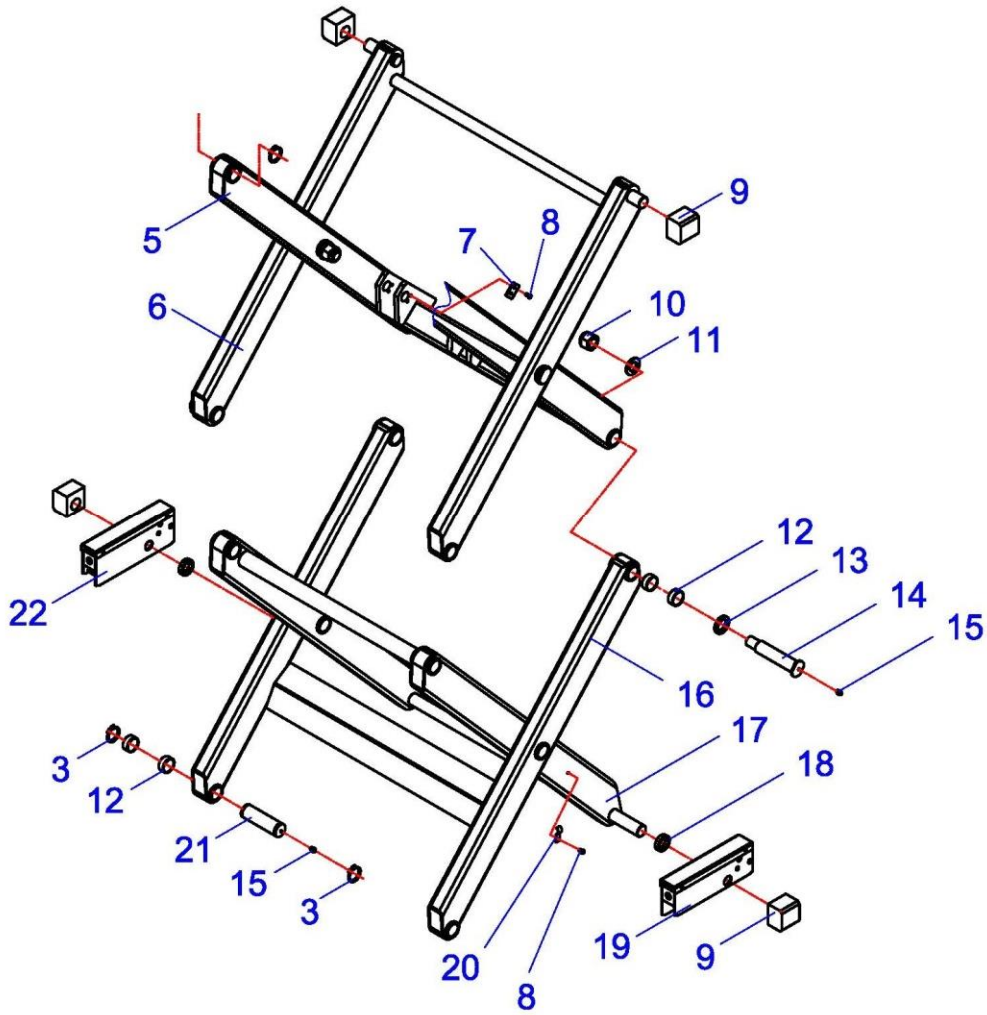
- Check for any excessive wear of scissors, lifting platforms, safety latch mechanism, rubber contact & height adaptor pads. Replace, if necessary.

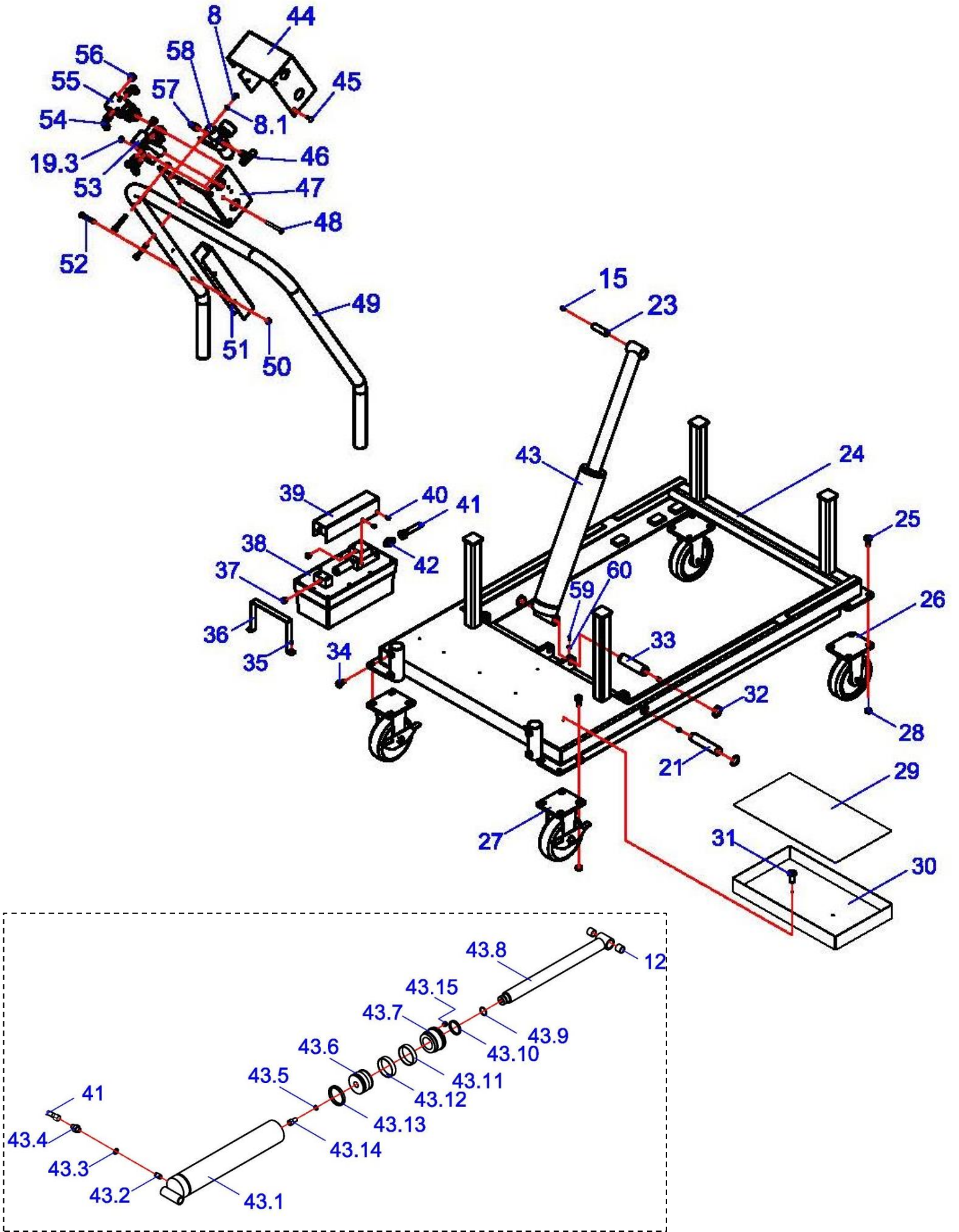
Cleaning:

- With compressed air or vacuum, remove all dirt and debris from the lift table & casters. Use a detergent or mild solvent to remove any grease or oil from lift table.

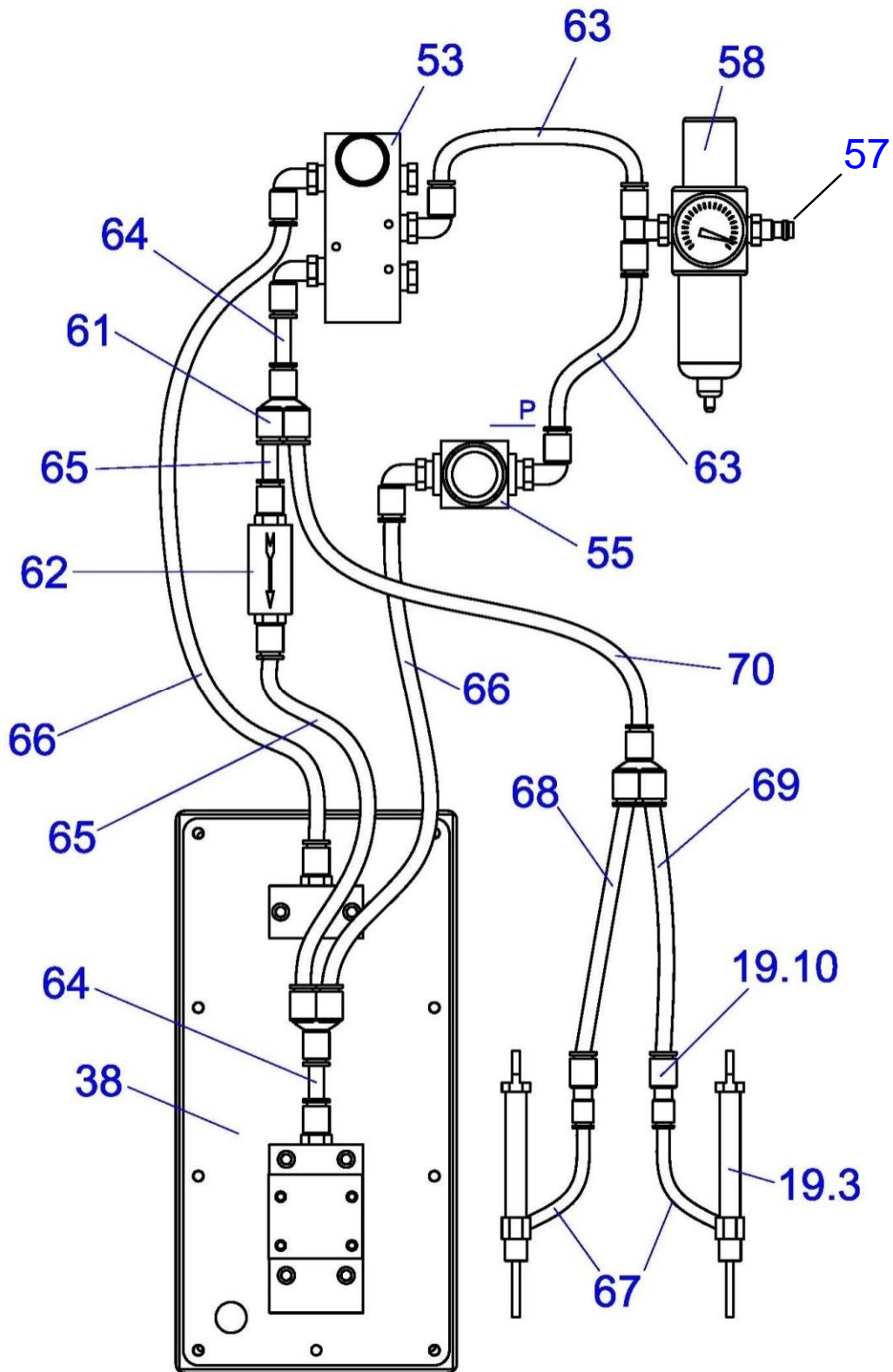
Exploded Views







(Air System)



Parts List

ITEM	TUX P/N	M-REF P/N	DESCRIPTION	QTY.
1	LT-2500AHX-001	YP01-01000-D00	Main Platform (LT2500-AHX)	1
2	LT-2500AHX-002	YP01-00009-H00	Rubber Adhesive Pad	4
3	LT-2500AHX-003	5304-00025-000	Circlip, D25	8
4	LT-2500AHX-004	YP01-00002-000	Upper Axle	2
5	LT-2500AHX-005	YP01-07000-000	Upper / Inside Scissor Frame	1
6	LT-2500AHX-006	YP01-08000-D00	Upper / Outside Scissor Frame	1
7	LT-2500AHX-007	JP24-00032-000	Fixing Plate	1
8	LT-2500AHX-008	5110-06010-000	Screw, M6 x 10mm	10
8.1	LT-2500AHX-008.1	5306-00006-000	Lock Washer, D6	2
9	LT-2500AHX-009	YP01-00001-000	Nylon Sliding Guide Block	4
10	LT-2500AHX-010	5206-00020-000	Lock Nut, M20	8
11	LT-2500AHX-011	5302-00020-000	Flat Washer, D20	11
12	LT-2500AHX-012	5603-25025-000	Bearing, D25 x D28 x 25mm	40
13	LT-2500AHX-013	5302-00025-000	Flat Washer, D25	8
14	LT-2500AHX-014	JP24-00003-000	Pivot Bolt	8
15	LT-2500AHX-015	JP02-00007-000	Grease Zerk, M6	10
16	LT-2500AHX-016	YP01-05000-H00	Lower / Outside Scissor Frame	1
17	LT-2500AHX-017	YP01-06000-H00	Lower / Inside Scissor Frame	1
18	LT-2500AHX-018	YP01-00003-H00	Spacer Sleeve	2
19	LT-2500AHX-019	YP01-13100-H00	Air Latch Frame (RH)	1
19.1	LT-2500AHX-019.1	JP24-00016-000	Air Latch Cover	2
19.2	LT-2500AHX-019.2	JP24-13003-000	Air Latch Arm Pin	3
19.3	LT-2500AHX-019.3	5206-00004-000	Lock Nut, M4	11
19.4	LT-2500AHX-019.4	5110-04016-000	Screw, M4 x 16mm	6
19.5	LT-2500AHX-019.5	JP24-13200-000	Rocker Arm	2
19.6	LT-2500AHX-019.6	JP24-13002-000	Linkage Arm - Short	2
19.7	LT-2500AHX-019.7	JP24-13300-000	Latch	2
19.8	LT-2500AHX-019.8	5303-00004-000	Lock Washer, D4	2
19.9	LT-2500AHX-019.9	5202-00004-000	Nut, M4	2
19.10	LT-2500AHX-019.10	YP01-00017-H00	Air Connector, D6 x D8	2
19.11	LT-2500AHX-019.11	JP16-25100-000	Elbow Fitting, M5 x D6	2
19.12	LT-2500AHX-019.12	YP01-00012-H00	Air Cylinder	2
19.13	LT-2500AHX-019.13	YP01-00002-H00	Union Connector	2
19.14	LT-2500AHX-019.14	5305-00006-000	E-Clip, D6	4
19.15	LT-2500AHX-019.15	5110-04045-000	Screw, M4 x 45mm	2
20	LT-2500AHX-020	JP24-00009-000	Lock Plate	6
21	LT-2500AHX-021	YP01-00003-000	Lower Pivot Shaft	2
22	LT-2500AHX-022	YP01-14100-H00	Air Latch Frame (LH)	1
23	LT-2500AHX-023	JP24-00023-001	Cylinder, Short Axle	1
24	LT-2500AHX-024	YP01-04000-H00	LT Base Frame (LT-2500AH-X)	1
25	LT-2500AHX-025	5117-10030-000	Flange Bolt, M10 x 30mm	12
26	LT-2500AHX-026	YP01-00007-H02	Poly Caster (Swivel Lock & Brake)	2
27	LT-2500AHX-027	YP01-00007-H03	Poly Caster (Brake Only)	2
28	LT-2500AHX-028	5210-00010-000	Flange Lock Nut, M10	16
29	LT-2500AHX-029	YP01-00008-H00	Tool Tray, Rubber Pad	1
30	LT-2500AHX-030	YP01-00006-H00	Tool Tray	1
31	LT-2500AHX-031	5107-06008-000	Screw, M6 x 8mm	2
32	LT-2500AHX-032	5304-00020-000	Circlip, D20	2
33	LT-2500AHX-033	JP24-00024-000	Cylinder, Long Axle	1

34	LT-2500AHX-034	5104-10020-000	Bolt, M10 x 20mm	4
35	LT-2500AHX-035	5110-06020-000	Screw, M6 x 20mm	2
36	LT-2500AHX-036	YP01-00004-H00	Mount Bracket	1
37	LT-2500AHX-037	DT01-13002-000	Air Fitting, 1/8+x D8	2
38	LT-2500AHX-038	QY02AS-40	Air / Hydraulic Pump (LT-2500AH-X)	1
39	LT-2500AHX-039	YP01-00007-H00	Pump Cover (Stainless-Steel)	1
40	LT-2500AHX-040	5110-05010-000	Screw, M5 x 10mm	8
40.1	LT-2500AHX-040.1	5302-00005-000	Flat Washer, D5	4
41	LT-2500AHX-041	JP16-31100-000	Hydraulic Hose	1
42	LT-2500AHX-042	JP23-00006-A00	Fitting Extension	1
43	LT-2500AHX-043	JP23-04000-000	Hydraulic Cylinder	1
43.1	LT-2500AHX-043.1	JP23-04100-000	Cylinder Body	1
43.2	LT-2500AHX-043.2	BZ20-04026-000	Pressure Compensate Valve, 4L	1
43.3	LT-2500AHX-043.3	5903-00014-000	Combined Washer, D14	1
43.4	LT-2500AHX-043.4	JP24-04006-000	Oil Fitting	2
43.5	LT-2500AHX-043.5	5303-00012-000	Lock Washer, D12	1
43.6	LT-2500AHX-043.6	JP23-04002-000	Piston	1
43.7	LT-2500AHX-043.7	JP23-04004-000	Guide Ring	1
43.8	LT-2500AHX-043.8	JP24-04007-000	Piston Rod	1
43.9	LT-2500AHX-043.9	5901-00244-000	O-Ring, D24.4 x D3.1	1
43.10	LT-2500AHX-043.10	5906-00040-000	Dust Ring, D40	1
43.11	LT-2500AHX-043.11	JP24-04008-000	Guide Ring - A	1
43.12	LT-2500AHX-043.12	JP24-04001-000	Guide Ring - B	1
43.13	LT-2500AHX-043.13	5905-00070-000	Seal, D70 x D80 x 8mm	1
43.14	LT-2500AHX-043.14	5105-12020-000	Screw, M12 x 20mm	1
43.15	LT-2500AHX-043.15	JP24-04009-000	Cylinder Muffler	1
44	LT-2500AHX-044	YP01-00010-H00	Control Box (Stainless-Steel)	1
45	LT-2500AHX-045	5115-06012-BXG	Screw, M6 x 12mm	5
46	LT-2500AHX-046	LB01-00020-000	Air T-Fitting, 1/4+x D8	1
47	LT-2500AHX-047	YP01-00005-H00	Control Box Base Plate	1
48	LT-2500AHX-048	5107-04035-000	Screw, M4 x 35mm	3
49	LT-2500AHX-049	YP01-00001-H00	LT Handle Bar	1
50	LT-PT2500AHX-050	5206-00006-000	Lock Nut, M6	6
51	LT-2500AHX-051	YP01-00011-H00	Handle Cover (Stainless-Steel)	1
52	LT-2500AHX-052	5110-06045-000	Screw, M6 x 45mm	4
53	LT-2500AHX-053	YP01-00013-H00	Air Valve	1
54	LT-2500AHX-054	LJ06-00010-000	90° Air Fitting, 1/4+x D8	5
55	LT-2500AHX-055	YP01-00014-H00	Air Button Valve	1
56	LT-2500AHX-056	LJ06-09008-000	Air Muffler	3
57	LT-2500AHX-057	YP01-00019-H00	Air Inlet Fitting, 1/4+	1
58	LT-2500AHX-058	DK04-08200-000	Regulator / Separator & Guage	1
59	LT-2500AHX-059	5109-05014-000	Threaded Pin, M5 x 14mm	1
60	LT-2500AHX-060	5206-00005-000	Lock Nut, M5	2
61	LT-2500AHX-061	YP01-00018-H00	Air Y-Fitting	3
62	LT-2500AHX-062	YP01-00015-H00	Air Control Valve	1
63	LT-2500AHX-063	YP01-00150-000	Air Tubing - 1	2
64	LT-2500AHX-064	YP01-00060-000	Air Tubing - 2	2
65	LT-2500AHX-065	YP01-00330-000	Air Tubing - 3	2
66	LT-2500AHX-066	YP01-00750-000	Air Tubing - 4	2
67	LT-2500AHX-067	YP01-00040-000	Air Tubing - 5	2
68	LT-2500AHX-068	YP01-01550-000	Air Tubing - 6	1
69	LT-2500AHX-069	YP01-01000-000	Air Tubing - 7	1
70	LT-2500AHX-070	YP01-00850-000	Air Tubing - 8	1

71	LT-2500AHX-071	5202-00020-000	Nut, M20	3
72	LT-2500AHX-072	5306-00020-000	Lock Washer, D20	3
73	LT-2500AHX-073	5402-05030-000	Cotter Pin, D5 x 30mm	3
74	LT-2500AHX-074	5117-08020-000	Screw, M8 x 20mm	12
75	LT-PT2500AHX-075	YP01-02000-G00	PT Fixed Table Platform	1
76	LT-PT2500AHX-076	5103-08025-000	Eye Bolt, M10 x 16mm	4
77	LT-PT2500AHX-077	5202-06012-000	Screw, M6 x 12mm	2
78	LT-PT2500AHX-078	YP01-03000-G00	PT Sliding Table Platform	1
79	LT-PT2500AHX-079	YP01-10020-000	Knob Screw, M10 x 20mm	2
80	LT-2500AHX-080	YP01-10001-D00	Jack Screw, Ball Head Bar	3
81	LT-2500AHX-081	YP01-07001-000	Jack Screw, Ball Head Bracket	3
82	LT-2500AHX-082	YP01-10100-D00	Jack Screw, T-Bar Body	3
83	LT-2500AHX-083	YP01-10002-D00	Jack Screw, Threaded Rod	3
84	LT-2500AHX-084	YP01-09004-000	Jack Screw, Large Washer	3
85	LT-PT2500AHX-085	JP24-00016-FJ6	Tie-Down Ratchet Strap	1

LIMITED WARRANTY

Structural Warranty:

The following parts and structural components carry a five-year warranty:

Columns	Arms	Uprights	Swivel Pins
Legs	Carriages	Overhead Beam	
Tracks	Cross Rails	Top Rail Beam	

Limited One-Year Warranty:

Tuxedo Distributors, LLC (iDEAL) offers a limited one-year warranty to the original purchaser of Lifts and Wheel Service equipment in the United States and Canada. Tuxedo will replace, without charge, any part found defective in materials or workmanship under normal use, for a period of one year after purchase. The purchaser is responsible for all shipping charges. This warranty does not apply to equipment that has been improperly installed or altered or that has not been operated or maintained according to specifications.

Other Limitations:

This warranty does not cover:

1. Parts needed for normal maintenance
2. Wear parts, including but not limited to cables, slider blocks, chains, rubber pads and pulleys
3. Replacement of lift and tire changer cylinders after the first 30 days. A seal kit and installation instructions will be sent for repairs thereafter.
4. On-site labor

Upon receipt, the customer must visually inspect the equipment for any potential freight damage before signing clear on the shipping receipt. Freight damage is not considered a warranty issue and therefore must be noted for any potential recovery with the shipping company.

The customer is required to notify Tuxedo of any missing parts within 72 hours. Timely notification must be received to be covered under warranty.

Tuxedo will replace any defective part under warranty at no charge as soon as such parts become available from the manufacturer. No guarantee is given as to the immediate availability of replacement parts.

Tuxedo reserves the right to make improvements and/or design changes to its lifts without any obligation to previously sold, assembled, or fabricated equipment.

There is no other express warranty on the Tuxedo lifts and this warranty is exclusive of and in lieu of all other warranties, expressed or implied, including all warranties of merchantability and fitness for a particular purpose.

To the fullest extent allowed by law, Tuxedo shall not be liable for loss of use, cost of cover, lost profits, inconvenience, lost time, commercial loss or other incidental or consequential damages.

This Limited Warranty is granted to the original purchaser only and is not transferable or assignable.

Some states do not allow exclusion or limitation of consequential damages or how long an implied warranty lasts, so the above limitations and exclusions may not apply. This warranty gives you specific legal rights and you may have other rights, which may vary from state to state.

8320 E Hwy 67, Alvarado, TX 76009
Ph. 817-558-9337 / Fax 817-558-9740